



CE 89/336
73/23

ISSUED: October 29, 2008

STACKABLE CRESCENT CUBER
GESTAPELTE EISMASCHINE FÜR SICHELFÖRMIGE EISWÜRFEL
PRODUCTOR DE FORMAS DE HIELO APILADO
DISTRIBUTEUR EMPILE DE CUBELETS EN DEMI-LUNE
CUBETTATRICE A MEZZALUNA IMPILABILE
GESTAPELDE HALVE-MAANVORMIGE IJSMACHINE

KM-1301SAH-E

INSTALLATION MANUAL INSTALLATIONSANLEITUNG MANUAL DE INSTALACIÓN NOTICE D'INSTALLATION MANUALE DI INSTALLAZIONE INSTALLATIEINSTRUCTIES

FOR QUALIFIED INSTALLER ONLY
NUR FÜR QUALIFIZIERTE INSTALLATEURE
EXCLUSIVAMENTE PARA INSTALADORES AUTORIZADOS
DESTINE UNIQUEMENT A L'INSTALLATEUR QUALIFIE
PER L'USO ESCLUSIVO DA PARTE DI INSTALLATORI ESPERTI
UITSLUITEND VOOR BEVOEGDE INSTALLATEURS

HOSHIZAKI

IMPORTANT

1. In order to carry out safe and proper installation of the product, please read this booklet carefully beforehand and follow the instructions contained within.
2. On completion of the installation, start the icemaker to check for any abnormalities, and instruct the user on how to use and maintain the icemaker in accordance with the Instruction Manual.
3. This booklet should be handed over to the user after the installation and be preserved by the user together with the Instruction Manual for any further consultation that may be necessary.

WARNING

The installation must be carried out by qualified personnel, in accordance with current regulations, according to the manufacturer's instructions.

1. Unpacking

WARNING

Children should not be allowed in reach of the packaging elements (plastic bags and expanded polystyrene) as they are potential sources of danger.

CAUTION

Remove shipping carton, tape, and packing material. If packing material is left in the icemaker, it will not work properly.

Note: This icemaker needs a storage bin. The recommended storage bin is Hoshizaki Ice Storage Bin, Model B-800 series.

- 1) After removing the packing material, make sure that the icemaker is in good condition. If in doubt, please do not use the equipment but apply to professionally qualified personnel. See the instruction sheet attached to the storage bin for its unpacking and installation guidelines.
- 2) Remove the panels to prevent damage when installing the icemaker. (See "2. How to Remove Panels.")
- 3) Remove the package containing the accessories from the compressor compartment.
- 4) Remove the protective plastic film from the panels. If the icemaker is exposed to the sun or to heat, remove the film after the icemaker cools.

- 5) Check that the refrigerant lines do not rub or touch lines or other surfaces, and that the fan blade turns freely.
- 6) Check that the compressor is snug on all mounting pads.
- 7) See the nameplate on the rear panel, and check that your voltage supplied corresponds with the voltage specified on the nameplate.
- 8) Remove the shipping tapes securing the cube guide.

2. How to Remove Panels - See Fig. 1

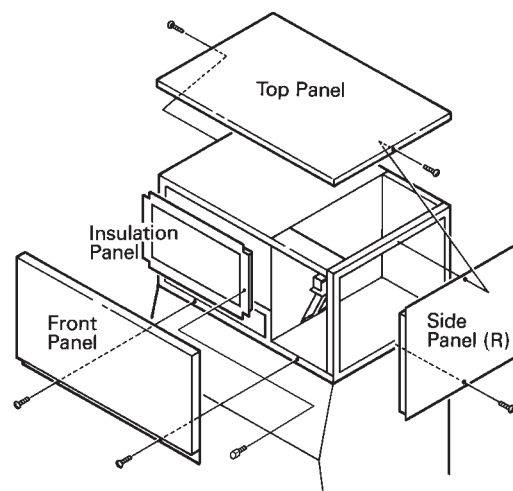


Fig. 1

- a) Front Panel: Remove the two screws. Lift up and pull towards you.
- b) Top Panel: Remove the two screws, and then lift off.
- c) Side Panel (R): Remove the screw. Pull slightly towards you, and take off.
- d) Insulation Panel: Remove the thumbscrew. Lift up slightly, and pull towards you.

3. Location

IMPORTANT

1. This icemaker is not intended for outdoor use. Normal operating ambient temperature should be within +7°C to +40°C. Normal operating water temperature should be within +7°C to +35°C. Operation of the icemaker, for extended periods, outside of these normal temperature ranges may affect production capacity.
2. The icemaker should not be located next to ovens, grills, or other high heat producing equipment.
3. The location should provide a firm and level foundation for the equipment.
4. Allow 15 cm clearance at rear, sides, and top for proper air circulation and ease of maintenance and/or service should they be required.
5. This appliance is not suitable for installation in an area where a water jet could be used and where dripping is not allowed.
6. Do not place anything in front of the louver.
7. This icemaker will not work at subfreezing temperatures. To prevent damage to the water supply line, drain the icemaker when air temperature is below zero.

4. Installation

- The installation must be carried out by qualified personnel, in accordance with current regulations, according to the manufacturer's instruction.
 - Incorrect installation can cause harm to people, animals, the icemaker, or the installation location, for which the manufacturer cannot be held responsible.
- 1) Unpack the storage bin and attach the four adjustable legs provided (bin accessory) to the bottom of the storage bin.
 - 2) Position the storage bin in the selected permanent location.
 - 3) Place the icemaker on top of the storage bin taking care not to damage the bin top sealing gasket.
 - 4) Secure the icemaker to the storage bin using the two mounting brackets and the bolts provided. See Fig. 2.

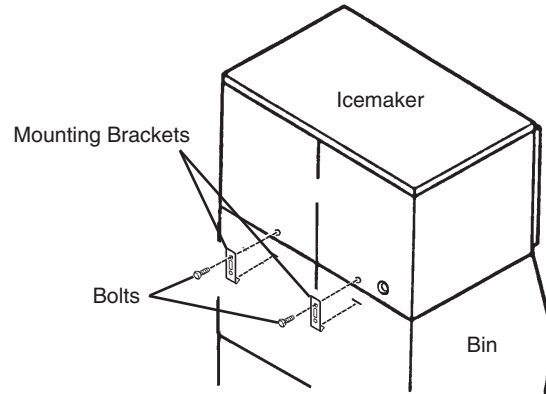


Fig. 2

CAUTION

Before operating the icemaker, the bin control thermostat must be installed correctly.

- 5) Install the bin control thermostat as follows. See Fig. 3a and 3b.
 - (a) Remove the baffle from the bin.
 - (b) Remove the tie securing the bin control thermostat assembly. Remove the two thumbscrews.
 - (c) Remove the bin control thermostat assembly from the shipping hook by lifting it up and shifting it to the right. Lower the thermostat extension bracket (stainless) with the thermostat bulb attachment and thermostat bulb through the hole located at the bottom of the icemaker. Next, lower the thermostat bracket (plastic) through the hole.

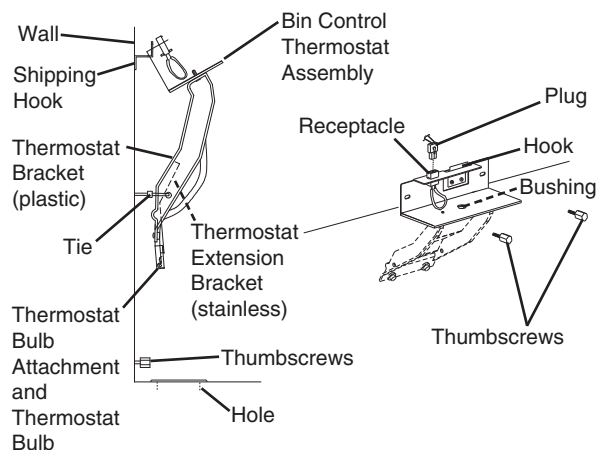


Fig. 3a

- (d) Make sure the left side and bottom of the assembly are flush against the wall and base panel.
- (e) Secure the assembly into place with the thumbscrews (unless you are installing a second unit). (See "5. Stacking Two Ice makers.")
- (f) Insert the plug into the receptacle on the assembly until it locks into place.
- (g) Remove the two screws from the lower part of the thermostat bracket (plastic) and use them to attach the thermostat extension bracket (stainless) to the thermostat bracket (plastic).

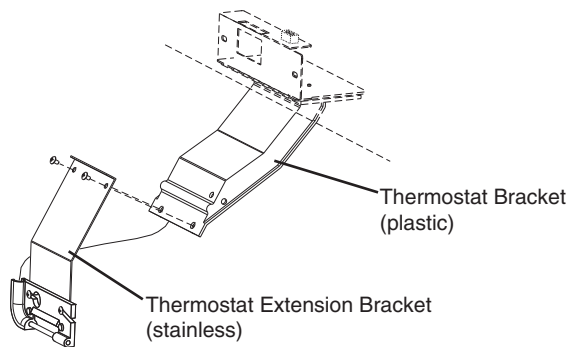


Fig. 3b

- 6) Level the icemaker and storage bin in both the left-to-right and front-to-rear directions. Adjust the storage bin legs to make the icemaker level.
- 7) Replace the panels and baffle in their correct positions (unless you are installing a second unit). (See "5. Stacking Two Ice makers.")

5. Stacking Two Ice makers - See Fig. 4 and 5

- 1) See "4. Installation" for the lower unit installation.
- 2) Remove the top panel and the top insulation of the lower unit. The top panel and the top insulation of the lower unit are not required when installing the second icemaker.
- 3) Unpack the second icemaker (upper unit), and remove the shipping carton, tape, and packing material.
- 4) Remove the panels of the second icemaker.
- 5) Stack the upper unit on top of the lower unit.
- 6) Secure the upper unit to the lower unit using the two mounting brackets and the bolts provided.

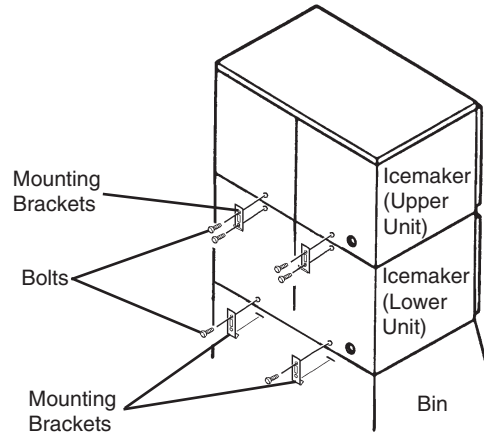


Fig. 4

- 7) Remove the tie securing the upper unit's bin control thermostat assembly.
- 8) Remove the bin control thermostat assembly from the shipping hook by lifting it up and shifting it to the right.
- 9) Remove the thermostat bulb attachment of the upper unit from the thermostat extension bracket (stainless).
- 10) Carefully remove the thermostat bulb from the thermostat bulb attachment of the upper unit.
- 11) Carefully route the thermostat bulb and capillary tubing of the upper unit through the bottom hole of the upper unit. Remove the bushing from the lower bin control thermostat assembly. Route the bulb and tubing through the hole in the assembly and down into the bin. Reattach the bushing.
- 12) Secure the lower bin control thermostat assembly in place with the thumbscrews.
- 13) Carefully insert the thermostat bulb back into the thermostat bulb attachment.
- 14) Secure the thermostat bulb attachment of the upper unit to the thermostat bulb attachment of the lower unit with the screws of the upper unit.
- 15) Insert the plug of the upper unit into the receptacle of the upper unit's bin control thermostat assembly until it locks into place.
- 16) Replace the panels and baffle in their correct positions.

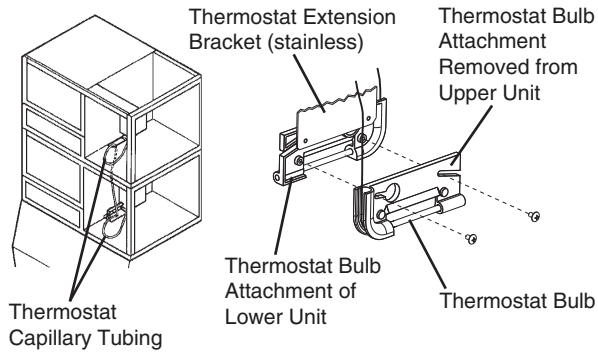


Fig. 5

6. Electrical Connection

WARNING

THIS APPLIANCE MUST BE EARTHED

This icemaker requires an earth that meets the national and local electrical code requirements. To prevent possible severe electrical shock to individuals or extensive damage to equipment, install a proper earth wire to the icemaker. Turn off the power supply before any maintenance, repairs, or cleaning is undertaken.

- This icemaker must have a separate power supply or receptacle of proper capacity. See the nameplate. It is recommended that this icemaker be the only electrical device on its power supply circuit.
- Stacked icemakers should each have a separate receptacle, but they must all be connected in parallel to the same single phase supply or circuit with sufficient ampacity.
- The opening for the power supply connection is 22.2 mm diameter to fit a conduit.
- If a power cord is used to provide electricity to the icemaker in place of the permanent (conduit) connection, a gland should be installed at the 22.2 mm power supply connection. This gland should be of the correct size for the power supply cord being installed. The size of the conductors of this power supply cord should be suitable for the electrical consumption of this icemaker.

As the colours of the wires in the terminal box of this appliance may not correspond with field supplied wiring or with the markings identifying the terminals in your power supply receptacle, proceed as follows:

The wire which is coloured Green-and-Yellow must be connected to the terminal in the receptacle which is marked with the letter E or by the symbol $\frac{1}{\perp}$ or coloured Green or Green-and-Yellow. The wire which is coloured Blue must be connected to the terminal which is marked with the letter "N" or coloured Black. The wire which is coloured Brown must be connected to the terminal which is marked with the letter L or coloured Red.

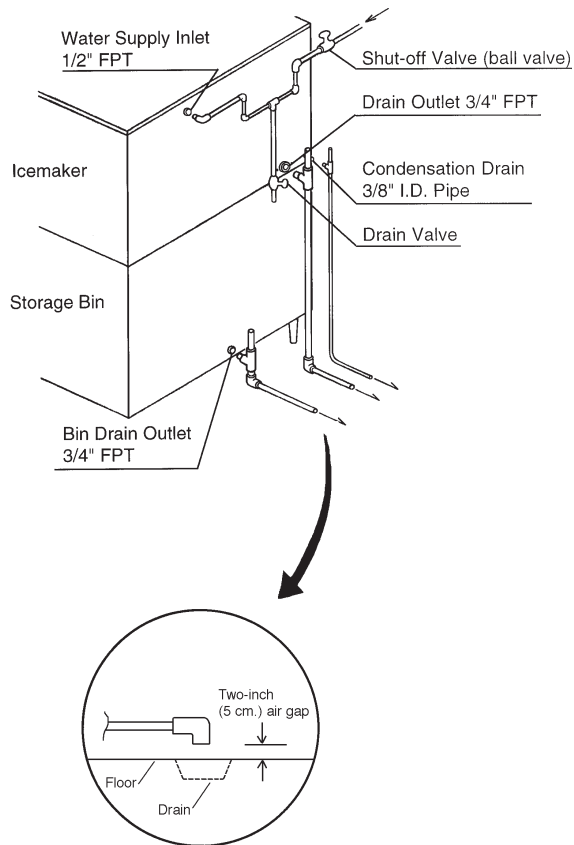
- Usually an electrical permit and services of a licensed electrician are required.

7. Water Supply and Drain Connections - See Fig. 6

WARNING

To prevent damage to the pump assembly, do not operate the icemaker when the water supply is off, or if the pressure is below .7 bar. Do not run the icemaker until the proper water pressure is reached.

- Only potable water should be used for the icemaker supply.
- Connection to the water services should be done by a professionally qualified person.
- Water supply inlet is 1/2" female pipe thread (FPT).
- A water supply line shut-off valve and drain valve should be installed. A ball valve is recommended for the shut-off valve. A type of valve other than a ball valve should not have a minimum opening smaller than the water supply line ID as this can cause a reduced water flow rate which can lead to poor harvest performance and/or freeze up. A minimum of 13 mm OD copper tubing is recommended for the water supply lines.
- Water supply pressure should be a minimum of .7 bar and a maximum of 8 bar. If the pressure exceeds 8 bar, the use of a pressure reducing valve is required. Do NOT throttle back the supply tap.
- Drain outlet for icemaker dump and storage bin is 3/4" FPT. The drain for condensation is a 10 mm ID pipe. The icemaker drain and the condenser drain piping connections must be made separately from the bin drain. The sump drain should be vented to insure an adequate flow rate during the harvest cycle. (See Fig. 6).
- Do NOT use solder type fittings as the application of heat to the icemaker/bin may result in damage to the internal connections.
- The drains must have 2 cm fall per 30 cm on horizontal runs to get a good flow.
- The drains should not be piped directly to the sewer system. An air gap of a minimum of 5 vertical cm should be between the end of the drain pipe from the icemaker or the ice bin and the floor drain. (See Fig. 6).
- This icemaker should be installed in accordance with applicable national, provincial, and local regulations.



Separate piping to approved drain. Leave a two-inch (5 cm.) vertical air gap between the end of each pipe and the drain.

Fig. 6

8. Startup

WARNING

1. This icemaker is designed to produce edible ice. To keep the icemaker sanitary:
 - Wash your hands before removing ice.
 - Use the plastic scoop provided (accessory).
 - Keep the scoop clean. Clean it by using a neutral cleaner and rinsing thoroughly.
 - The storage bin is for ice use only. Do not store anything else in the bin.
 - Close the door after removing ice to prevent entrance of dirt, dust, or insects into the storage bin.
2. The use of any electrical equipment involves the observance of some fundamental rules. In particular:
 - Instances of high humidity and moisture increase the risk of electrical short circuits and potential electrical shocks. If in doubt, disconnect the icemaker.
 - Do not use the icemaker when you have bare feet.
 - Do not pull the power cord in order to disconnect the icemaker from the feed network.
 - This appliance is not suitable for unsupervised use by young children or aged or infirm persons.
3. All parts are factory-adjusted. Improper adjustments may result in failure.
4. If the unit is turned off, wait for at least 3 minutes before restarting the icemaker to prevent damage to the compressor.
5. Do not operate the unit in the "WASH" position without water in the water tank. This will cause damage to the water pump seal.

- 1) Open the water supply line shut-off valve.
- 2) Remove the front panel.
- 3) Move the control switch, on the control box, to the "ICE" position.
- 4) Replace the front panel in its correct position.
- 5) Turn on the power supply and allow the water tank to fill with water and the icemaker to operate for a total of 10 minutes. (See "9. Operation" for Sequence of Operation).

- 6) Check the water supply and drain connections for water leaks.
- 7) Turn off the power supply, and remove the front panel.
- 8) Remove the insulation panel. Remove the cap located on the front bottom part of the ice dropping hole. Drain the water tank to flush any loose debris. See Fig. 7.

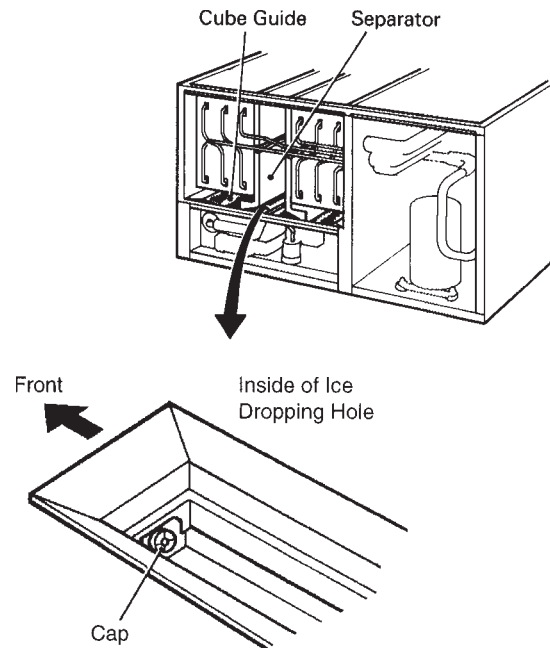


Fig. 7

- 9) Replace the cap, insulation panel, and front panel in their correct positions.
- 10) Clean the storage bin.
- 11) Turn on the power supply, and start the automatic icemaking process.
- 12) Wait until a complete icemaking and harvest cycle is completed.

Bin Control Check

- 1) With the front panel in place, remove the thumbscrews along the upper edge of the storage bin ice deflector and allow it to pivot on the side fixings.
- 2) Hold some ice against the bin control bulb. The icemaker should stop within 10 seconds.
- 3) Replace the thumbscrews and close the bin door.
- 4) Check that the icemaker re-starts.

9. Operation

The steps in the start-up/operation sequence are as follows:

1) 1 Minute Fill Cycle

The unit always starts in the 1 minute fill cycle.

When power is applied to the unit, the water valve is energized and the fill period begins. After 1 minute the board checks for a closed float switch. If the float switch is closed the harvest cycle begins. If not, the unit will not start without adequate water in the sump. This serves as a low water safety shut off. The water valve will remain energized through additional 1 minute cycles until sufficient water enters the sump and the float switch closes.

2) 1st Harvest Cycle

The compressor starts, hot gas valve opens, water valve remains open, and harvest begins. As the evaporator warms, the thermistor located on the suction line checks for a 9°C temperature. When 9°C is reached, the harvest is turned over to the adjustable control board harvest timer which is factory set for normal conditions. This adjustment can vary the harvest timer from 1 to 3 minutes. The water valve closes and the pump motor runs for the last 50 seconds of harvest.

3) Freeze Cycle

After the timer terminates the harvest cycle, the hot gas valve closes, and the freeze cycle starts. For the first 5 minutes the control board will not accept a signal from the float switch. This 5 minute minimum freeze acts as a short cycle protection. At the end of 5 minutes the float switch assumes control. As ice builds on the evaporator the water level in the sump lowers. The freeze continues until the float switch opens and terminates ice production.

4) Harvest Pump Out

When the float switch opens and signals the completion of the freeze cycle, the harvest cycle begins. The hot gas valve opens and the compressor continues to run. The pump-out timer starts counting the 10/20 second pump out.

The water pump stops for 15 seconds and reverses, taking water from the bottom of the sump and forcing pressure against the check valve seat allowing water to go through the check valve and down the drain. At the same time water flows through the small tube to power flush the float switch. When the pump-out timer stops counting, the pump-out is complete.

The control board allows for adjustment of pump-out to occur every cycle, or every 2nd, 5th or 10th cycle.

5) Normal Harvest Cycle

The water valve opens to allow water to assist the harvest. As the evaporator warms, the thermistor reaches 9°C. The control board receives the thermistor signal and starts the harvest timer. The water valve closes and the pump motor runs for the last 50 seconds of harvest. When the harvest timer completes its countdown, the harvest cycle is complete and the next freeze cycle starts.

The unit continues through 3), 4) and 5) sequence until the bin control senses ice and shuts the unit down.

Note: If the icemaker does not start or complete a cycle of operation, contact your nearest Hoshizaki Distributor for guidance.

10. Final Checklist

- 1) Is the icemaker level?
- 2) Is the icemaker in a site where the ambient temperature is within +7°C to +40°C all year around?
- 3) Is there at least a 15 cm clearance around the icemaker for maintenance or service?
- 4) Have the shipping carton, tape, and packing material been removed from the icemaker? Are the cube guides in their correct position? Are the separators properly attached to their holding clips? See Fig. 7.
- 5) Have all electrical and piping connections been made?
- 6) Has the power supply voltage been checked or tested against the nameplate rating? And has a proper earth been installed in the icemaker?
- 7) Are the water supply line shut-off valve and drain valve installed? Has the water supply pressure been checked to ensure a minimum of .7 bar and a maximum of 8 bar?

Note: The icemaker may stop running when the water supply is off, or if the pressure is below .7 bar. When the proper water pressure is reached, the icemaker automatically starts running again.
- 8) Have the compressor hold-down bolts and refrigerant lines been checked against vibration and possible failure?
- 9) Has the bin control switch been checked for correct operation?
- 10) Has the end user been given the instruction manual, and instructed on how to operate the icemaker and the importance of the recommended periodic maintenance?
- 11) Has the end user been given the name and telephone number of an authorized service agent?
- 12) Ensure all components, fasteners, and thumbscrews are securely in place after installation. Make sure that none have fallen into the storage bin.

ACHTUNG

1. Damit das Gerät sicher und korrekt installiert wird, ist zuerst dieses Handbuch sorgfältig durchzulesen, und die darin enthaltenen Anweisungen sind zu befolgen.
2. Im Anschluß an die Installation ist die Eismaschine einzuschalten, um sie auf Unregelmäßigkeiten beim Betrieb zu überprüfen, und der Benutzer ist darin zu unterweisen, wie die Eismaschine entsprechend der Bedienungsanleitung zu benutzen und instandzuhalten ist.
3. Dieses Handbuch ist dem Benutzer nach der Installation zu übergeben und ist vom Benutzer zusammen mit der Bedienungsanleitung aufzubewahren, damit beides bei Bedarf zu Rate gezogen werden kann.

WARNUNG

Die Installation ist von qualifiziertem Personal entsprechend den aktuellen Bestimmungen und den Anweisungen des Herstellers auszuführen.

1. AUSPACKEN

WARNUNG

Kindern sollten keinen Zugang zum Verpackungsmaterial (Kunststoffbeutel und Polystyrol) haben, da dieses eine mögliche Gefahrenquelle darstellt.

VORSICHT

Versandkarton, Band und anderes Verpackungsmaterial abnehmen. Wenn Verpackungsmaterial in der Eismaschine gelassen wird, arbeitet diese nicht richtig.

Anmerkung: Diese Eismaschine benötigt einen Vorratsbehälter. Der empfohlene Vorratsbehälter ist der HOSHIZAKI - EISVORRATSBEHÄLTER, Modell Serie B-800.

- 1) Nach Entfernung des Verpackungsmaterials sollten Sie überprüfen, daß die Eismaschine in gutem Zustand ist. Im Zweifelsfall sollten Sie das Gerät nicht in Gebrauch nehmen, sondern sich an qualifizierte Fachkräfte wenden. Die Hinweise für das Auspacken und die Installation finden sich im Anleitungsblatt, das dem Vorratsbehälter beiliegt.
- 2) Die Platten abnehmen, um eine Beschädigung während der Installation der Eismaschine zu verhindern. (Siehe "2. ABNAHME DER PLATTEN".)

- 3) Die Packung mit dem Zubehör aus dem Kompressorfach herausnehmen.
- 4) Die Kunststoffschutzfolie von der Maschine abziehen. Wenn die Eismaschine Sonne oder Wärme ausgesetzt ist, ist die Folie erst abziehen, nachdem die Eismaschine abgekühlt ist.
- 5) Überprüfen Sie, daß die Kühlmittleitungen nicht gegen andere Leitungen oder Oberflächen reiben oder diese berühren und daß sich der Gebläseflügel frei drehen kann.
- 6) Überprüfen Sie, daß der Kompressor fest auf den Unterlagen sitzt.
- 7) Auf dem Typenschild auf der Rückseite überprüfen, ob Ihre Netzspannung der Spannung entspricht, die auf dem Typenschild angegeben ist.
- 8) Das Band abnehmen, mit dem die Würfelführung für den Versand gesichert wird.

2. ABNAHME DER PLATTEN – Siehe Abbildung 1

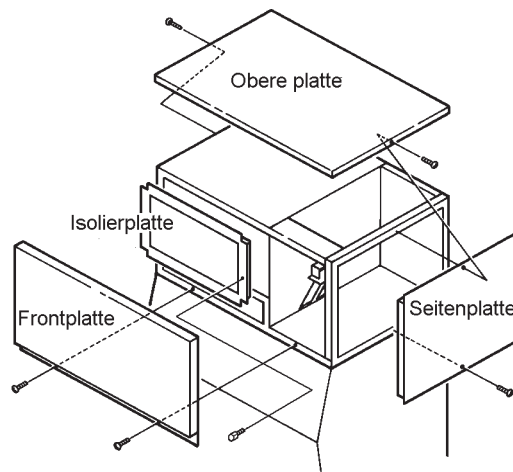


Abb. 1

- a) Frontplatte: Die beiden Schrauben entfernen. Anheben und nach vorne abziehen.
- b) Obere Platte: Die beiden Schrauben entfernen, dann abnehmen.
- c) Seitenplatte (R): Die Schraube entfernen. Etwas nach vorne ziehen und dann abnehmen.
- d) Isolierplatte: Die Flügelschraube entfernen. Leicht anheben und nach vorne abziehen.

3. STANDORT

ACHTUNG

1. Diese Eismaschine ist nicht für den Einsatz im Freien gedacht. Die normale Umgebungstemperatur bei Betrieb sollte zwischen +7°C und +40°C liegen. Die normale Wassertemperatur bei Betrieb sollte zwischen +7°C und +35°C liegen. Wenn die Eismaschine für längere Zeit außerhalb dieses normalen Temperaturbereichs betrieben wird, kann die Produktionskapazität beeinträchtigt werden.
2. Die Eismaschine sollte nicht neben Öfen, Grills oder anderen Geräten aufgestellt werden, die hohe Temperaturen erzeugen.
3. Der Standort sollte einen festen und ebenen Untergrund für das Gerät bieten.
4. An Rückseite, Seiten und über der Oberseite sollte ein Freiraum von 15 cm vorhanden sein, damit die Luft gut zirkulieren kann und, falls notwendig, Zugang für Instandhaltung und/oder Wartung gegeben ist.
5. Dieses Gerät eignet sich nicht für die Installation in Bereichen, in denen Strahlwasser verwendet werden könnte oder in denen Tropfwasser nicht zulässig ist.
6. Nichts vor die Lüftungsschlitze stellen.
7. Diese Eismaschine arbeitet nicht bei Temperaturen unter dem Gefrierpunkt. Um eine Beschädigung der Wasserleitung zu verhindern, ist die Eismaschine zu entleeren, wenn die Lufttemperatur unter Null Grad fällt.

4. INSTALLATION

- Die Installation ist von qualifiziertem Personal entsprechend den aktuellen Bestimmungen und den Anweisungen des Herstellers auszuführen.
- Falsche Installation kann zu Verletzungen von Mensch und Tier, einer Beschädigung der Eismaschine oder anderen Sachschäden führen, für die der Hersteller keine Haftung übernehmen kann.

- 1) Den Vorratsbehälter auspacken und die mitgelieferten vier justierbaren Füße (Behälterzubehör) unten am Vorratsbehälter anbringen.
- 2) Den Vorratsbehälter am gewählten, permanenten Aufstellungsplatz aufstellen.
- 3) Die Eismaschine oben auf den Vorratsbehälter stellen und dabei darauf achten, daß die Dichtung oben im Vorratsbehälter nicht beschädigt wird.

- 4) Den Eisbereiter mit den zwei Montageklammern und den mitgelieferten Bolzen am Vorratsbehälter befestigen. Siehe Abb. 2.

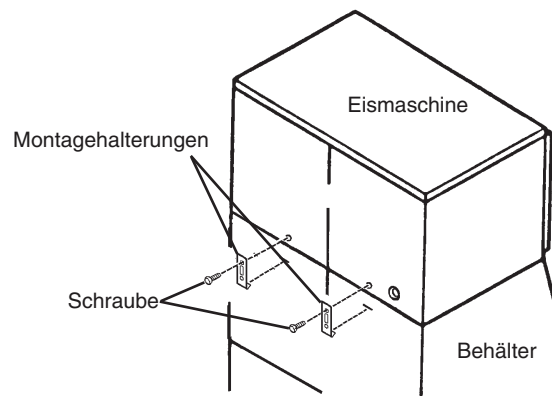


Abb. 2

VORSICHT

Bevor der Eisbereiter verwendet wird, muss der Behälterthermostat richtig installiert werden.

- 5) Den Behälterthermostat wie folgt installieren. Siehe Abb. 3a und 3b.
 - (a) Das Abweisblech vom Behälter entfernen.
 - (b) Das Sicherungsband der Behälterthermostat-Baugruppe entfernen. Die beiden Flügelschrauben entfernen.
 - (c) Die Behälterthermostat-Baugruppe durch Anheben und Schieben nach rechts aus der Versandhalterung herausnehmen. Die Thermostathalterverlängerung (Edelstahl) mit Thermostathalterteil und Thermostatfühler durch die Öffnung unten am Eisbereiter hinablassen. Dann die Thermostathalterung (Kunststoff) durch die Öffnung hinablassen.

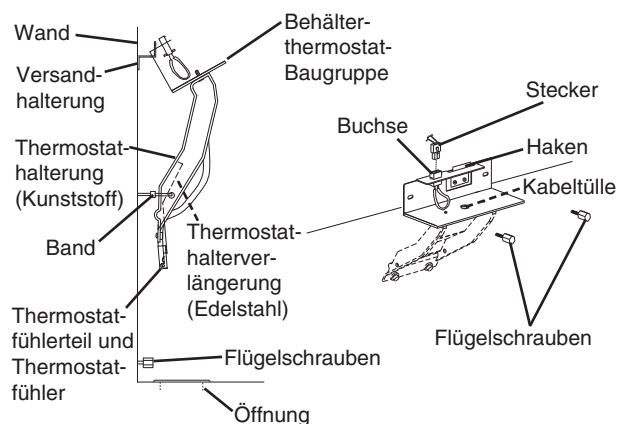


Abb. 3a

- (d) Sicherstellen, dass die linke Seite und die Unterkante der Baugruppe bündig mit der Wand und der Bodenplatte abschließen.
- (e) Die Baugruppe mit den Flügelschrauben sichern (wenn kein zweites Gerät installiert wird). (Siehe „5. STAPELN VON ZWEI EISBEREITERN.“)
- (f) Den Stecker in die Buchse an der Baugruppe einstecken bis er einrastet.
- (g) Die beiden Schrauben unten an der Thermostathalterung (Kunststoff) entfernen und mit diesen die Thermostathalterverlängerung (Edelstahl) an der Thermostathalterung (Kunststoff) befestigen.

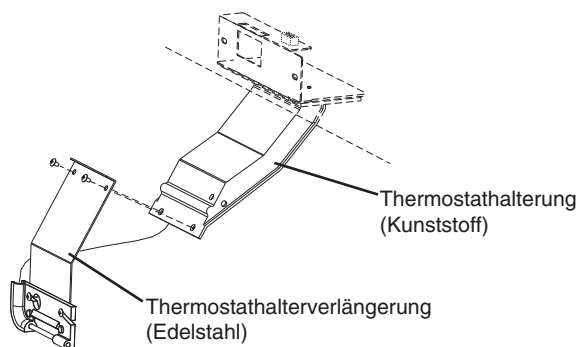


Abb. 3b

- 6) Eisbereiter und Vorratsbehälter so ausrichten, dass sie von links nach rechts und von vorne nach hinten gesehen waagrecht stehen. Den Eisbereiter mit den verstellbaren Füßen des Vorratsbehälters so ausrichten, dass er vollkommen waagrecht ist.
- 7) Platten und Abweisblech an der richtigen Position wieder anbringen (wenn kein zweites Gerät installiert wird). (Siehe „5. STAPELN VON ZWEI EISBEREITERN.“)

5. STAPELN VON ZWEI EISBEREITERN - Siehe Abb. 4 und 5

- 1) Siehe „4. INSTALLATION“ für die Installation des unteren Gerätes.
- 2) Die obere Platte und die obere Isolierplatte des unteren Gerätes entfernen. Die obere Platte und die obere Isolierplatte des unteren Gerätes werden nicht benötigt, wenn ein zweiter Eisbereiter installiert wird.
- 3) Den zweiten Eisbereiter (oberes Gerät) auspacken und den Versandkarton, Bänder und Verpackungsmaterial entfernen.
- 4) Die Platten des zweiten Eisbereiters abnehmen.
- 5) Das obere Gerät auf das untere Gerät stellen.
- 6) Das obere Gerät mit den beiden mitgelieferten Montagehalterungen und den Bolzen am unteren Gerät sichern.

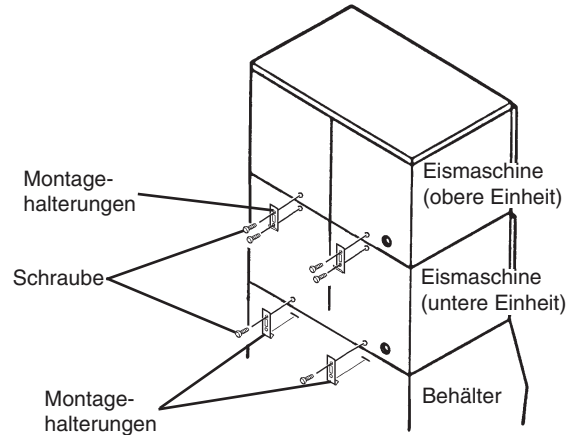


Abb. 4

- 7) Das Sicherungsband der Behälterthermostat-Baugruppe am oberen Gerät entfernen.
- 8) Die Behälterthermostat-Baugruppe durch Anheben und Schieben nach rechts aus der Versandhalterung herausnehmen.
- 9) Das Thermostatfühlerenteil des oberen Gerätes von der Thermostathalterverlängerung (Edelstahl) abnehmen.
- 10) Den Thermostatfühler vorsichtig aus dem Thermostatfühlerenteil des oberen Gerätes herausnehmen.
- 11) Den Thermostatfühler und das Kapillarrohr des oberen Gerätes vorsichtig durch die untere Öffnung am oberen Gerät verlegen. Die Kabeltülle von der unteren Behälterthermostat-Baugruppe entfernen. Fühler und Rohr durch die Öffnung der Baugruppe und hinunter in den Behälter verlegen. Die Kabeltülle wieder anbringen.
- 12) Die untere Behälterthermostat-Baugruppe mit den Flügelschrauben sichern.
- 13) Den Thermostatfühler vorsichtig zurück in das Thermostatfühlerenteil einführen.
- 14) Das Thermostatfühlerenteil des oberen Gerätes mit den Schrauben des oberen Gerätes am Thermostatfühlerenteil des unteren Gerätes sichern.
- 15) Den Stecker des oberen Gerätes in die Buchse an der Behälterthermostat-Baugruppe des oberen Gerätes einstecken bis er einrastet.
- 16) Platten und Abweisblech an der richtigen Position wieder anbringen.

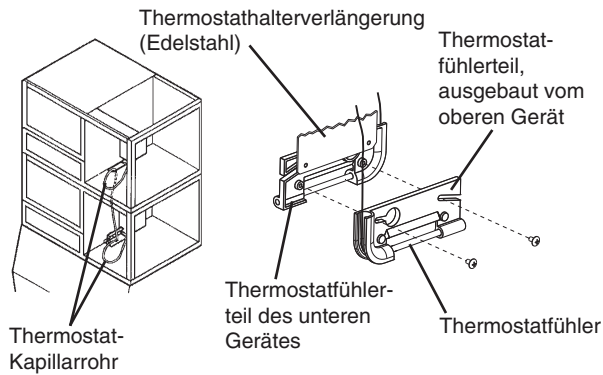


Abb. 5

6. STROMANSCHLUSS

— WARNUNG —

DIESES GERÄT MUSS GEERDET WERDEN.

Diese Eismaschine muß entsprechend den Elektroinstallationsvorschriften von Bund, Ländern und Gemeinden geerdet sein. Um einen starken Stromschlag oder beträchtlichen Sachschaden zu verhindern, ist die Eismaschine mit einem korrekten Erdungsleiter zu installieren. Den Netzstecker aus der Steckdose ziehen, ehe Wartungs-, Reparatur- oder Reinigungsarbeiten ausgeführt werden.

- Diese Eismaschine muß an ein separates Netzteil oder einen Stromanschluß mit der richtigen Bemessung angeschlossen werden. Vgl. Typenschild. Diese Eismaschine sollte als einziges Gerät an den Stromkreis angeschlossen sein.
- Gestapelte Eismaschinen sollten jeweils einen eigenen Stecker haben, müssen jedoch parallel an ein und dasselbe Einphasennetz mit ausreichender Stromstärke angeschlossen sein.
- Die Öffnung für den Stromanschluß hat einen Durchmesser von 22,2mm und paßt somit in normale Leitungsrohre.
- Wenn die Eismaschine über ein Stromkabel mit Elektrizität versorgt werden soll, anstatt des permanenten (Leitungsrohr-)Anschlusses, so ist an der 22,2-mm-großen Anschlußstelle eine Stopfbüchse anzubringen. Diese Stopfbüchse muß für das zu installierende Stromkabel groß genug sein. Die Leiter des verwendeten Stromkabels müssen der Leistungsaufnahme der Eismaschine entsprechend stark genug sein.

Da sich die Farben der Leiter im Netzkabel dieses Geräts von den Farbmarkierungen an den Anschlüssen in Ihrem Stecker unterscheiden können, ist wie folgt vorzugehen:

Der grün/gelbe Leiter muß an den Anschluß im Stecker angeschlossen werden, der mit dem Buchstaben E oder dem Symbol \perp oder Grün/Gelb markiert ist. Der blaue Leiter muß an den Anschluß angeschlossen werden, der mit dem Buchstaben N oder Schwarz markiert ist. Der braune Leiter muß an den Anschluß angeschlossen werden, der mit dem Buchstaben L oder Rot markiert ist.

- Normalerweise sind für die Ausführung der Arbeiten eine elektrische Genehmigung und ein fachkundiger, qualifizierter Elektriker notwendig.

7. WASSER- UND ABWASSERANSCHLÜSSE – Siehe Abbildung 6

WARNUNG

Damit die Pumpe nicht beschädigt wird, darf die Eismaschine nicht betrieben werden, wenn das Wasser **ABGESTELLT** ist oder wenn der Druck unter 0,7 bar abfällt. Die Eismaschine erst wieder einschalten, wenn der korrekte Wasserdruck vorhanden ist.

- Für diese Eismaschine darf nur Trinkwasser verwendet werden.
- Die Maschine ist nur von einer qualifizierten Person an das Wasser anzuschließen.
- Der Wasseranschluß hat ein Rohrrinnengewinde $\frac{1}{2}$ ".
- In der Wasserleitung sollten ein Absperr- und ein Abflußventil installiert werden. Für das Absperrventil wird ein Kugelhahn empfohlen. Wenn ein anderes Ventil als ein Kugelhahn verwendet wird, sollte dessen Mindestöffnung nicht kleiner als der Innendurchmesser der Wasserleitung sein, da dies sonst zu einem verringerten Durchfluß führen kann, was wiederum zu einer schlechten Entfrostung und/oder Zufrieren führen kann. Für die Wasserleitung wird eine Kupferleitung mit einem Außendurchmesser von mindestens 13 mm empfohlen.
- Der Wasserdruck sollte mindestens 0,7 bar und maximal 8 bar betragen. Wenn der Druck 8 bar überschreitet, ist ein Druckreduzierventil zu verwenden. Den Druck **NICHT** durch Zudrehen des Anschlußhahns verringern.
- Der Abflußanschluß für die Eismaschine und den Vorratsbehälter hat ein Rohrrinnengewinde $\frac{3}{4}$ ". Der Kondensatablauf ist eine Leitung mit 10 mm Innendurchmesser. Der Abfluß der Eismaschine und der Kondensatorabflußanschluß müssen separat vom Behälterablauf angeschlossen werden. Der Wasserbehälterablauf ist zu entlüften, damit während des Ausgabezyklus ein ausreichender Durchfluß erreicht wird. (Siehe Abb. 6).
- **KEINE** Lötverbindungen verwenden, da die internen Anschlüsse von Eismaschine/Behälter durch Wärme beschädigt werden können.
- Die Abflüsse müssen ein Gefälle von 2 cm pro 30 cm Länge aufweisen, damit ein guter Durchfluß erzielt wird.
- Die Abflüsse sind nicht direkt an das Abwassersystem anzuschließen. Zwischen dem Ende der Abflußleitung der Eismaschine oder des Eisbehälters und dem Bodenablauf sollte ein vertikaler Mindestabstand von 5 cm vorhanden sein. (Siehe Abb. 6).
- Die Eismaschine ist entsprechend den geltenden Vorschriften von Bund, Ländern und Gemeinden zu installieren.

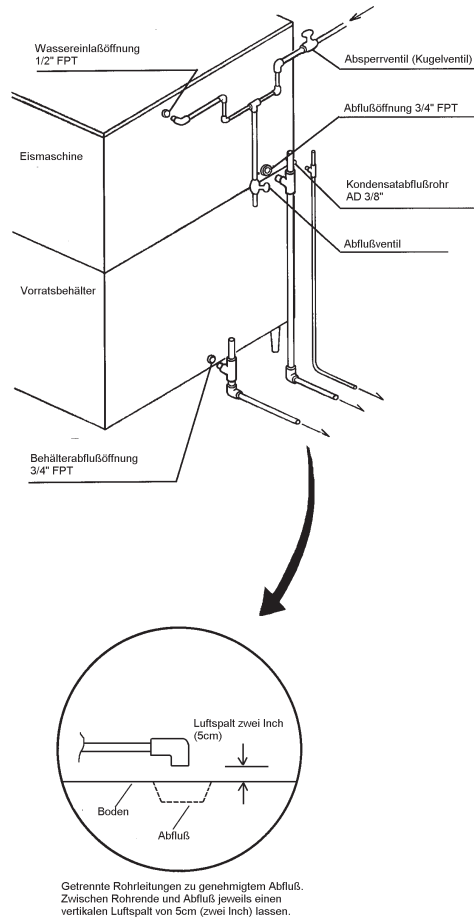


Abb. 6

8. EINSCHALTEN

WARNUNG

1. Diese Eismaschine ist für die Herstellung von eßbarem Eis konstruiert. Die Eismaschine ist wie folgt in einem hygienisch einwandfreien Zustand zu halten.
 - Die Hände waschen, ehe Eis herausgenommen wird.
 - Die mitgelieferte Kunststoffschaufel (Zubehör) verwenden.
 - Der Vorratsbehälter ist nur für das Eis zu verwenden. Im Vorratsbehälter darf nichts anderes als Eis aufbewahrt werden.
 - Die Schaufel sauber halten. Sie ist mit einem neutralen Reinigungsmittel zu waschen und gründlich abzuspülen.
 - Die Tür nach der Entnahme von Eis wieder schließen, damit kein Schmutz, Staub oder Insekten in den Vorratsbehälter gelangen können.
2. Bei der Verwendung von elektrischen Geräten sind einige grundlegende Regeln zu beachten. Und zwar insbesondere:
 - Bei hoher Luftfeuchtigkeit und Nässe erhöht sich das Risiko eines Kurzschlusses und die Möglichkeit von Stromschlägen. Die Eismaschine im Zweifelsfall vom Netz trennen.
 - Die Eismaschine nicht verwenden, wenn Sie barfuß sind.
 - Nicht am Stromkabel ziehen, um die Eismaschine vom Netz zu trennen.
 - Dieses Gerät eignet sich nicht für die Verwendung durch unbeaufsichtigte kleine Kinder oder alte oder gebrechliche Personen.
3. Alle Teile werden werkseitig eingestellt. Eine falsche Einstellung kann zum Versagen des Geräts führen.
4. Wenn das Gerät ausgeschaltet wird, warten Sie mindestens 3 Minuten, ehe die Eismaschine wieder eingeschaltet wird, um eine Beschädigung des Kompressors zu vermeiden.
5. Das Gerät nicht in Stellung "Waschen" betreiben, wenn kein Wasser im Wassertank vorhanden ist. Sonst wird die Dichtung der Wasserpumpe beschädigt.

- 3) Den Regelschalter im Schaltkasten auf Stellung "ICE" (Eis) stellen.
- 4) Die Vorderplatte wieder korrekt einsetzen.
- 5) Den Strom einschalten und warten, bis sich der Wassertank mit Wasser gefüllt hat und die Eismaschine insgesamt 10 Minuten gearbeitet hat. (Siehe Abschnitt 9) zum Arbeitszyklus.)
- 6) Anschlüsse an die Wasserversorgung und die Abflüsse auf Leckage prüfen.
- 7) Strom ausschalten und Frontplatte entfernen.
- 8) Isolierplatte entfernen. Von der Eisauswurföffnung unten vorne die Kappe abnehmen. Wasserbehälter entleeren und losen Schmutz ausspülen. Siehe Abb. 7.

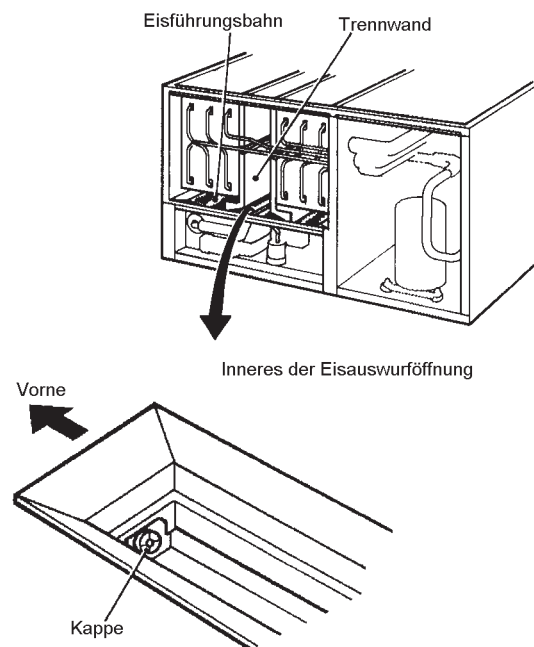


Abb. 7

- 1) Das Absperrventil in der Wasserleitung öffnen.
- 2) Die Vorderplatte abnehmen.

- 9) Kappe wieder anbringen. Isolierplatte und vordere Platte wieder richtig montieren.
- 10) Vorratsbehälter säubern.
- 11) Strom einschalten und die automatische Eisherstellung aufnehmen
- 12) Warten, bis ein vollständiger Eisherstellungs- und Abtauzyklus durchlaufen ist.

PRÜFUNG DER BEHÄLTERFÜLLSTANDSREGELUNG

- 1) Wenn die Vorderplatte eingesetzt ist, die Flügelschrauben an der Oberkante der Eisablenkung am Vorratsbehälter abnehmen. Diese dreht sich jetzt an der seitlichen Befestigung.
- 2) Etwas Eis gegen den Behälterfüllstandsfühler halten. Die Eismaschine sollte sich innerhalb von 10 Sekunden ausschalten.
- 3) Die Flügelschrauben wieder einsetzen, und die Behältertür schließen.
- 4) Überprüfen, daß sich die Eismaschine wieder einschaltet.

9. BETRIEB

Die Schritte für Einschalten/Betrieb sind wie folgt:

1) Füllzyklus von 1 Minute

Das Gerät beginnt immer mit dem 1-minütigen Füllzyklus. Wenn der Strom zum Gerät eingeschaltet wird, wird das Wasserventil eingeschaltet und das Füllen beginnt. Nach 1 Minute überprüft die Schaltung, ob der Schwimmerschalter geschlossen ist. Wenn der Schwimmerschalter geschlossen ist, beginnt der Ausgabezyklus. Wenn er nicht geschlossen ist, startet das Gerät nicht, da nicht genügend Wasser im Wasserbehälter ist. Dies stellt die Sicherheitsabschaltung bei niedrigem Wasserstand dar. Das Wasserventil bleibt für weitere 1-Minuten-Zyklen eingeschaltet, bis genügend Wasser im Wasserbehälter ist und sich der Schwimmerschalter schließt.

2) Ausgabezyklus

Der Kompressor wird eingeschaltet, das Heißgasventil öffnet sich, das Wasserventil bleibt geöffnet und die Ausgabe beginnt. Der Verdampfer erwärmt sich, und der Thermistor an der Ansaugleitung prüft, ob die Temperatur 9°C ist. Wenn 9°C erreicht wird, wird die Ausgabe an den einstellbaren Abtauzeitschalter übergeben, der werkseitig für normale Arbeitsbedingungen eingestellt ist. Der Abtauzeitschalter kann zwischen 1 und 3 Minuten eingestellt werden. Das Wasserventil schließt und der Pumpenmotor läuft während der letzten 50 Sekunden des Ausgabezyklus.

3) Gefrierzyklus

Nachdem der Zeitschalter den Ausgabezyklus beendet hat, schließen sich die Heißgas- und Wasserventile und der Eisherstellungszyklus beginnt. Während der ersten 5 Minuten akzeptiert die Regelung kein Signal vom Schwimmerschalter. Diese Mindestgefrierzeit von 5 Minuten stellt den Schutz gegen einen zu kurzen Zyklus dar. Nach 5 Minuten übernimmt der Schwimmerschalter die Regelung. Während sich am Verdampfer Eis ablagert, sinkt der Wasserspiegel im

Wasserbehälter. Der Gefrier-vorgang läuft weiter, bis sich der Schwimmerschalter öffnet und die Eisherstellung beendet.

4) *Auspumpen für die Eisausgabe*

Wenn sich der Schwimmerschalter öffnet und damit das Ende des Gefrierzyklus signalisiert, beginnt der Ausgabezyklus. Das Heißgasventil öffnet sich, und der Kompressor läuft weiter. Der Entleerungszeitschalter steuert das Auspumpen von 10/20 Sekunden Dauer.

Die Wasserpumpe stoppt 15 Sekunden lang und pumpt dann in umgekehrter Richtung, wobei Wasser dem Wasserbehälter unten entnommen und gegen den Sitz des Sperrventils gedrückt wird, so daß das Wasser durch das Sperrventil in den Abfluß fließen kann. Gleichzeitig fließt das Wasser durch ein kleines Röhrchen, um den Schwimmerschalter unter Druck zu spülen. Wenn der Entleerungszeitschalter abgelaufen ist, ist das Auspumpen beendet.

Auspumpen findet immer während des 1. Ausgabezyklus nach dem ersten Gefrierzyklus statt. Über die Regelung kann das Auspumpen so eingestellt werden, daß es anschließend nach jedem Zyklus oder nach jedem 2., 5. oder 10. Zyklus stattfindet.

5) *Normaler Ausgabezyklus*

Das Wasserventil öffnet sich, damit das Wasser die Ausgabe unterstützen kann. Der Verdampfer erwärmt sich, und der Thermistor erreicht 9°C. Die Regelung erhält das Thermistorsignal und startet den Abtauzeitschalter. Das Wasserventil schließt und der Pumpenmotor läuft während der letzten 50 Sekunden des Ausgabezyklus. Wenn der Abtauzeitschalter abgelaufen ist, ist der Abtauzyklus beendet und der nächste Gefrierzyklus beginnt.

Das Gerät durchläuft Schritte 3), 4) und 5), bis der Behälterfüllstandsfühler Eis feststellt und das Gerät abschaltet.

Anmerkung: Wenn die Eismaschine sich nicht einschaltet oder nicht den vollständigen Arbeitszyklus durchläuft, wenden Sie sich bitte an Ihren Hoshizaki-Händler.

10. CHECKLISTE FÜR DIE ENDÜBERPRÜFUNG

- 1) Steht die Eismaschine horizontal?
- 2) Steht die Eismaschine an einer Stelle, an der die Umgebungstemperatur das ganze Jahr über zwischen +7°C und +40°C liegt?
- 3) Ist um die Eismaschine herum ein Freiraum von mindestens 15 cm für Wartung oder Instandhaltung vorhanden?
- 4) Sind alle Versandbänder, Verpackungsmaterial und Kartons von der Eismaschine abgenommen worden? Befinden sich die Würfelführungen an der richtigen Stelle? Sitzen alle Trennwand richtig in ihren Halteklammern? Siehe Abb. 7.
- 5) Sind alle elektrischen und anderen Leitungen angeschlossen worden?
- 6) Ist überprüft worden, daß die Netzspannung den Angaben auf dem Typenschild entspricht? Und wurde der Eisbereiter ordnungsgemäß geerdet?
- 7) Sind Absperrventil und Abblößventil in der Wasserleitung installiert worden? Ist der Wasserdruck überprüft worden und liegt er zwischen 0,7 bar und maximal 8 bar?

Anmerkung: Die Eismaschine kann den Betrieb einstellen, wenn das Wasser ABGESTELLT wird oder wenn der Druck unter 0,7 bar fällt. Wenn der korrekte Wasserdruck wiederhergestellt wird, nimmt die Eismaschine den Betrieb automatisch wieder auf.

- 8) Sind die Befestigungsschrauben des Kompressors und die Kühlmittelleitungen auf Schwingungen und mögliches Versagen hin überprüft worden?
- 9) Ist der korrekte Betrieb des Behälterfüllstandsschalters überprüft worden?
- 10) Ist dem Endbenutzer die Bedienungsanleitung übergeben worden, und ist er darin unterwiesen worden, wie die Eismaschine zu bedienen ist. Ist er über die Wichtigkeit der empfohlenen regelmäßigen Instandhaltungsarbeiten informiert worden?
- 11) Ist dem Endbenutzer Name und Telefonnummer einer autorisierten Kundendienstfirma übergeben worden?
- 12) Nach der Installation sicherstellen, dass alle Bauteile, Verbindungselemente und Flügelschrauben fest sitzen. Darauf achten, dass nichts davon in den Vorratsbehälter gefallen ist.

— IMPORTANTE —

1. Para llevar a cabo una instalación segura y correcta del producto, lea este libro cuidadosamente de antemano y siga las instrucciones contenidas en él.
2. Al finalizar la instalación, ponga en marcha el productor de hielo para comprobar irregularidades y facilite instrucciones al usuario sobre la forma de uso y mantenimiento del productor de acuerdo con el manual de instrucciones.
3. Este libro debe entregarse al usuario después de la instalación y el usuario debe guardarlo con el manual de instrucciones para las consultas posteriores que puedan ser necesarias.

— ADVERTENCIA —

Sólo deberá realizar la instalación el personal capacitado, de conformidad con las normativas en vigor, y siguiendo las instrucciones del fabricante.

1. DESEMBALADO

— ADVERTENCIA —

Mantener a los niños alejados de los componentes de embalaje (bolsas de plástico y poliestireno estirado) ya que pueden ser posibles fuentes de peligro.

— PRECAUCION —

Retirar el cartón de embalaje, cinta(s) y empaquetado, si los materiales de embalaje se dejan dentro del productor, no funcionará correctamente.

Nota: Este productor de hielo necesita un recipiente de almacenamiento. Se recomienda el recipiente modelo RECIPIENTE DE ALMACENAMIENTO HOSHIZAKI, serie B-800.

- 1) Tras retirar el embalaje, asegúrese de que el productor de hielo se encuentra en buenas condiciones. En caso de duda, no utilice el equipo y acuda al personal profesional cualificado. Para su desembalaje y directrices de instalación, consulte la hoja de instrucciones adjunta sobre el recipiente de almacenamiento.
- 2) Retire los paneles para evitar daños cuando instale el productor de hielo. (Consulte "2. CÓMO RETIRAR LOS PANELES").
- 3) Retire del compartimento del compresor el embalaje que contiene los accesorios.

- 4) Retire la película de plástico de protección de los paneles. Si el productor se expone al sol o a una fuente de calor, retire la película después de que el productor de hielo se haya enfriado.
- 5) Compruebe que las conducciones del refrigerante no rozan o tocan otras tuberías o superficies y que las paletas del ventilador giran libremente.
- 6) Compruebe que el compresor no tiene holgura sobre todos los cojinetes de montaje.
- 7) Compruebe la placa de características del panel trasero y asegúrese de que el voltaje que usted va a suministrar a la máquina coincide con el voltaje que se especifica en la placa.
- 8) Retire las cintas de envío que sujetan la guía de los cubitos.

2. CÓMO RETIRAR LOS PANELES – Ver Fig. 1

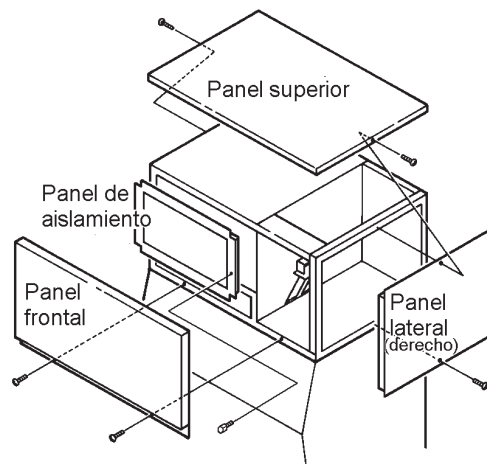


Fig. 1

- a) Panel frontal: Retire los dos tornillos. Levante y estire hacia usted.
- b) Panel superior: Retire los dos tornillos y levántelo para extraerlo.
- c) Panel lateral (derecho): Retire el tornillo. Estire ligeramente hacia usted y extráigalo.
- d) Panel de aislamiento: Retire el tornillo de apriete manual. Levántelo ligeramente y estire hacia usted.

3. UBICACIÓN

IMPORTANTE

1. Este productor de hielo no está diseñado para su uso en exteriores. La temperatura ambiente normal de funcionamiento debe estar entre +7°C y +40°C. La temperatura normal de funcionamiento del agua debe ser entre +7°C y + 35°C. El funcionamiento del productor durante prolongados periodos de tiempo fuera de estas condiciones normales de temperatura puede afectar la capacidad de producción.
2. El productor de hielo no se debe situar cerca de hornos, parrillas u otros equipos de producción de calor.
3. La ubicación debe proporcionar una base firme y nivelada para el equipo.
4. Deje 15 cm de separación por las partes trasera, laterales y superior para obtener una circulación de aire apropiada y para facilitar los trabajos de mantenimiento y servicio cuando sean necesarios.
5. Este aparato no es apropiado para su instalación en áreas donde se puedan utilizar chorros de agua o donde no esté autorizado que existan goteos.
6. No coloque nada delante de la persiana de ventilación.
7. Este productor de hielo no trabajará a temperaturas por debajo del punto de congelación. Para evitar daños en las conducciones del suministro de agua, vacíe el productor cuando la temperatura del aire esté bajo cero.

4. INSTALACIÓN

- La instalación la debe realizar personal cualificado siguiendo los reglamentos en vigor y de acuerdo con las instrucciones del fabricante.
 - Una instalación incorrecta puede ocasionar daños a personas y animales, al propio productor de hielo o a las instalaciones donde se haya ubicado, de los cuales no podrá ser considerado responsable el fabricante.
1. Desembale el recipiente de almacenamiento y acople las cuatro patas regulables que se facilitan (accesorio del recipiente) en la base del recipiente.
 2. Coloque el productor de hielo en la posición definitiva elegida.
 3. Coloque el productor sobre la parte superior del recipiente de almacenamiento prestando atención de no dañar la junta de sellado de la parte superior del recipiente.

- 4) Fije la máquina de hielo a la cuba de almacenamiento mediante los dos soportes de montaje y los dos pernos que se suministran. Ver Fig. 2.

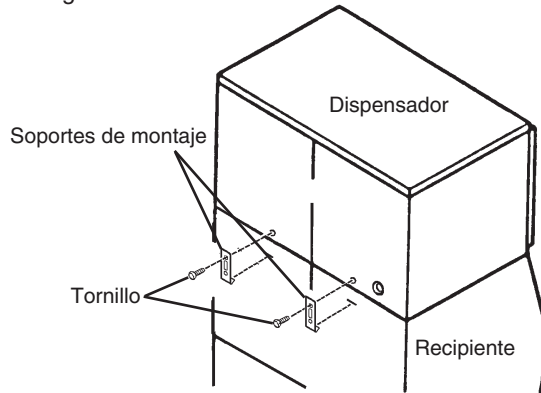


Fig. 2

PRECAUCIÓN

Antes de hacer funcionar la máquina de hielo, debe instalarse correctamente el termostato de control de la cuba.

- 5) Instale el termostato de control de la cuba como se indica a continuación. Ver Fig. 3a y 3b.
 - (a) Extraiga el deflector de la cuba.
 - (b) Extraiga la atadura que fija el conjunto del termostato de control de la cuba. Extraiga los dos tornillos de mariposa.
 - (c) Extraiga el conjunto del termostato de control de la cuba del enganche de transporte levantándolo y girándolo a la derecha. Baje el soporte alargador del termostato (inoxidable) con el acoplamiento de la cubeta del termostato y la cubeta del termostato a través del orificio situado en la parte inferior de la máquina de hielo. A continuación, baje el soporte del termostato (plástico) a través del orificio.

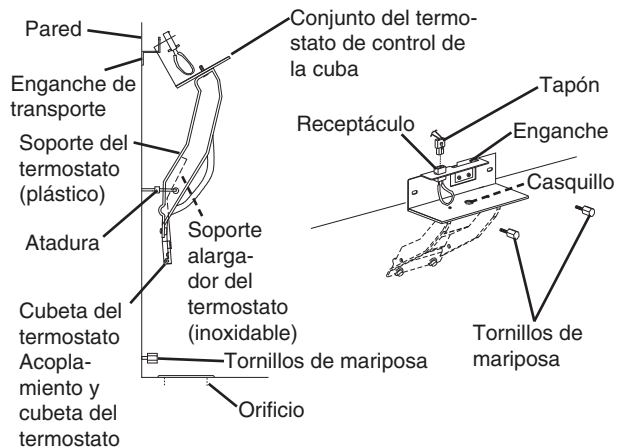


Fig. 3a

- (d) Asegúrese de que el lateral izquierdo y la parte inferior del conjunto quedan alineados con la pared y la tapa de la base.
- (e) Fije el conjunto en su lugar con los tornillos de mariposa (a menos que vaya a instalar una segunda unidad). (Consulte "5. ACOPLAMIENTO DE DOS MÁQUINAS DE HIELO").
- (f) Introduzca el tapón en el receptáculo del conjunto hasta que quede fijo.
- (g) Extraiga los dos tornillos de la parte inferior del soporte del termostato (plástico) y utilícelos para acoplar el soporte alargador del termostato (inoxidable) al soporte del termostato (plástico).

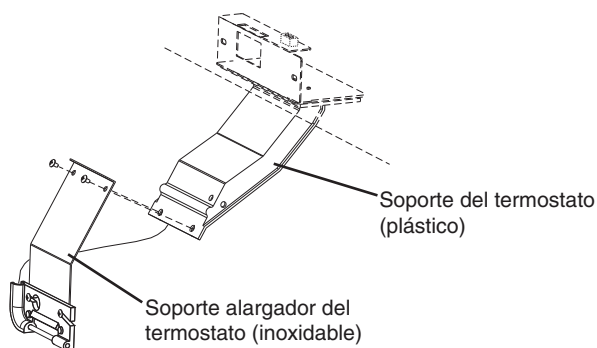


Fig. 3b

- 6) Nivele la máquina de hielo y la cuba de almacenamiento tanto respecto del eje lateral como del anteroposterior. Ajuste las patas de la cuba de almacenamiento para nivelar la máquina de hielo.
- 7) Monte de nuevo las tapas y el deflector en sus posiciones correctas (a menos que vaya a instalar una segunda unidad). (Consulte "5. ACOPLAMIENTO DE DOS MÁQUINAS DE HIELO").

5. ACOPLAMIENTO DE DOS MÁQUINAS DE HIELO - Ver la Fig. 4 y 5

- 1) Ver "4. INSTALACIÓN" para consultar las instrucciones de instalación de la unidad inferior.
- 2) Extraiga la tapa superior y el aislamiento superior de la unidad inferior. La tapa superior y el aislamiento superior de la unidad inferior no son necesarias para la instalación de la segunda máquina de hielo.
- 3) Desembale la segunda máquina de hielo (unidad superior) y retire el cartón de embalaje, la cinta y todo el material de embalaje.
- 4) Extraiga las tapas de la segunda máquina de hielo.
- 5) Acople la unidad superior en la parte superior de la unidad inferior.

- 6) Fije la unidad superior a la unidad inferior mediante los dos soportes de montaje y los dos pernos que se suministran.

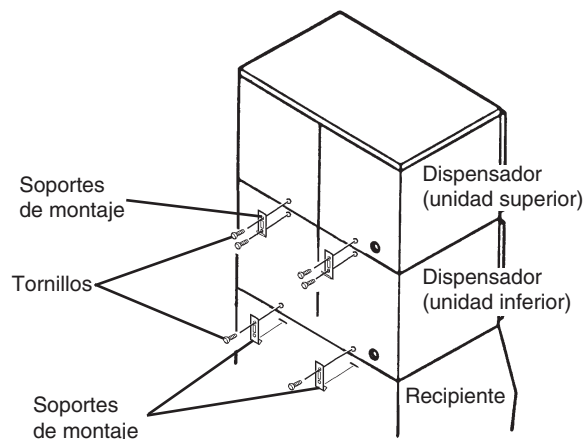


Fig. 4

- 7) Extraiga la atadura que fija el conjunto del termostato de control de la cuba de la unidad superior.
- 8) Extraiga el conjunto del termostato de control de la cuba del enganche de transporte levantándolo y girándolo a la derecha.
- 9) Retire el acoplamiento de la cubeta del termostato de la unidad superior del soporte alargador del termostato (inoxidable).
- 10) Extraiga con cuidado la cubeta del termostato del acoplamiento de la cubeta del termostato de la unidad superior.
- 11) Dirija con cuidado la cubeta del termostato y los tubos capilares de la unidad superior a través del orificio inferior de la unidad superior. Extraiga el casquillo del conjunto del termostato de control de la cuba inferior. Dirija la cubeta y los tubos a través del orificio del conjunto y hacia el interior de la cuba. Vuelva a acoplar el casquillo.
- 12) Fije el conjunto del termostato de control de la cuba inferior en su lugar con los tornillos de mariposa.
- 13) Introduzca con cuidado la cubeta del termostato en el acoplamiento de la cubeta del termostato.
- 14) Fije el acoplamiento de la cubeta del termostato de la unidad superior al de la unidad inferior con los tornillos de la unidad superior.
- 15) Introduzca el tapón de la unidad superior en el receptáculo del conjunto del termostato de control de la cuba de la unidad superior hasta que quede fijo en su lugar.
- 16) Monte de nuevo las tapas y el deflector en sus posiciones correctas.

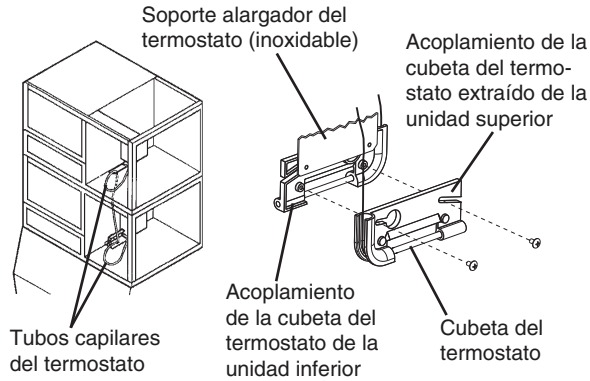


Fig. 5

6. CONEXIÓN ELÉCTRICA

ADVERTENCIA

ESTE APARATO SE DEBE CONECTAR A TIERRA

Este productor de hielo necesita una conexión a tierra que cumpla con las normativas del código de electricidad nacional y local. Para evitar la posible descarga eléctrica severa a personas, o gran daño al equipo, instalar un cable a tierra adecuado en el productor de hielo. Retirar el enchufe de la corriente antes de realizar cualquier mantenimiento, reparación o limpieza.

- Este productor de hielo debe disponer de una toma independiente de energía eléctrica o una caja de contacto individual de la capacidad apropiada. Lea la placa de características. En ella se recomienda que este productor sea el único aparato eléctrico de ese circuito de acometida.
- Cada dispensador apilado debe contar con su propio receptáculo, pero deben estar conectados en paralelo al mismo suministro o circuito monofásico con suficiente amperaje.
- La apertura para la conexión del suministro de corriente tiene un diámetro de 22,2 mm para acoplar una tubería portacables.
- Si se utiliza un cable de potencia para suministrar corriente al dispensador en lugar de la conexión permanente (tubería portacables), se debe instalar un casquillo (prensaestopas) en la conexión de corriente de 22,2 mm. Este casquillo debe ser de la medida apropiada para el cable de potencia que se va a instalar. El tamaño de los conductores de este cable debe ser apropiado para el consumo eléctrico del dispensador.

Debido a que los colores del cable en el cordón de corriente de este aparato puede que no correspondan con las marcas de colores que identifican las bornas en su enchufe, proceda como sigue:

El cable de color Verde y Amarillo se debe conectar a la borna en el enchufe marcado con la letra E o con el símbolo $\frac{1}{\perp}$ o de color verde o verde y amarillo. El cable de color azul se deberá conectar a la borna marcada con la letra N o de color negro. El cable de color marrón se debe conectar a la borna marcada con la letra L o de color rojo.

- Normalmente se recurre al permiso eléctrico y servicios de un electricista autorizado.

7. CONEXIONES DE SUMINISTRO DE AGUA Y DESAGÜE - Ver Fig. 6

ADVERTENCIA

Para evitar daños al conjunto de la bomba, no ponga en funcionamiento el productor de hielo cuando el suministro de agua esté APAGADO (OFF) o si la presión cae por debajo de 0,7 bar. No ponga en funcionamiento el productor hasta alcanzar la presión de agua apropiada.

- Para el suministro al productor sólo se debe utilizar agua potable.
- La conexión al suministro de agua la debe realizar personal profesional cualificado.
- La entrada del suministro de agua es de rosca de tubo hembra 1/2" (FTP).
- En la tubería de suministro de agua se debe instalar una válvula de corte y una válvula de desagüe. Para la válvula de corte se recomienda una válvula de bola. Otros tipos de válvula que se instalen no deben tener una abertura mínima que sea inferior al diámetro interior de la tubería de suministro de agua, pues ello provocaría una reducción en el volumen del flujo de agua que conduciría a un mal funcionamiento de los procesos de descongelación y congelación. Para las tuberías de suministro de agua se recomiendan tubos de cobre de 13 mm de diámetro exterior.
- La presión del suministro de agua debe ser, como mínimo, de 0,7 bar, y como máximo, de 8. Si la presión superara 8 bar, es necesario utilizar una válvula reductora de presión. NO cierre el grifo de suministro.
- La salida de desagüe del vaciadero del productor y del recipiente de almacenamiento es 3/4" FTP. El desagüe para la condensación es una tubería de 10 mm de diámetro interior. Las conexiones de las conducciones de desagüe del productor de hielo y del condensador se deben realizar por separado del desagüe del recipiente. Se debe soplar el desagüe del sumidero para asegurar un volumen adecuado de flujo durante el ciclo de recogida de producto (ver Fig. 6).
- NO utilice acopladores del tipo de soldadura, pues la aplicación de calor al productor o al recipiente puede provocar daños en las conexiones internas.
- Para obtener un buen flujo, el sistema de desagüe debe tener una caída de 2 cm por cada 30 cm de carrera horizontal.
- Los desagües no deben estar conectados directamente al sistema de alcantarillado. Entre el extremo de la tubería de desagüe del productor o el depósito de hielo y el desagüe del suelo debe existir una separación libre mínima de 5 cm verticales (ver Fig. 6).

- Este productor de hielo se debe instalar de acuerdo con los reglamentos nacionales, provinciales y locales que sean de aplicación.

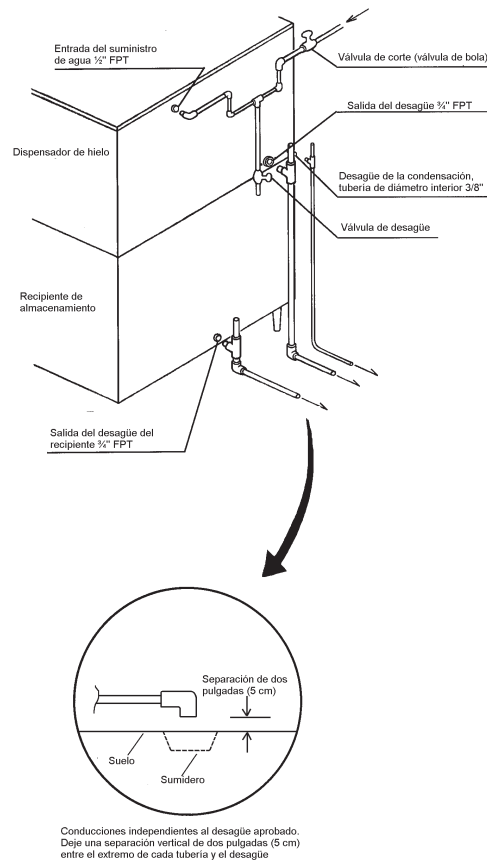


Fig. 6

8. ARRANQUE INICIAL

ADVERTENCIA

1. Este productor de hielo está diseñado para fabricar hielo comestible. Para mantener el productor en condiciones higiénicas:
 - Lávese las manos antes de retirar el hielo
 - Utilice los colectores de plástico facilitados (accesorio)
 - El recipiente de almacenamiento es sólo para hielo. No almacene ninguna otra cosa
 - Mantenga limpio el colector. Límpielo utilizando un limpiador neutro y aclárelo bien.
 - Cierre la puerta después de retirar el hielo para evitar la entrada de suciedad, polvo o insectos en el recipiente de almacenamiento.
2. El uso de cualquier equipo eléctrico implica la observación de algunas normas básicas. En particular:
 - Ambientes de gran humedad aumentan el riesgo de cortocircuitos y de descargas eléctricas. En caso de duda, desconecte el productor de hielo.
 - No estire del cable de potencia para desenchufar el productor de la red de alimentación.
 - No utilice el productor con los pies desnudos.
 - Este aparato no es apropiado para que lo utilicen sin supervisión jóvenes, niños, personas de edad o enfermas.
3. Todas las piezas han sido ajustadas en fábrica. Ajustes incorrectos pueden provocar fallos de la máquina.
4. Si se desconecta la unidad, espere 3 minutos, como mínimo, antes de volver a poner en marcha el productor de hielo; de esta forma evitará daños en el compresor.
5. No ponga en funcionamiento la unidad en la posición "lavado" sin que haya agua en el depósito de agua. Ello provocaría daños en el sello de la bomba de agua.

- 4) Vuelva a colocar el panel frontal en su posición correcta.
- 5) Conecte el suministro de corriente y deje que se llene el depósito de agua y que el productor funcione durante un periodo de 10 minutos (Vea 9 para Secuencia de Operación).
- 6) Revise las fugas de agua en la acometida de agua y conexiones de desagüe.
- 7) Desconecte el suministro de corriente y retire el panel frontal.
- 8) Retire el panel de aislamiento. Retire el tapón situado en la parte inferior delantera del orificio descargador de cubos. Vacíe el depósito de agua para limpiar la basura suelta. Ver Fig. 7.

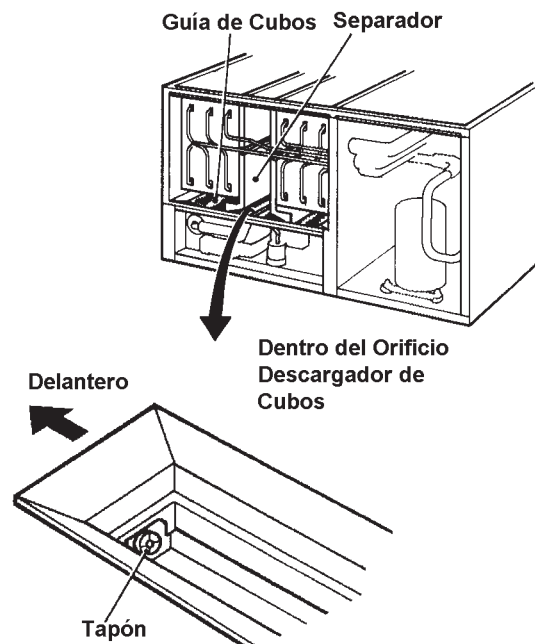


Fig. 7

- 1) Abra la válvula de corte de la tubería de suministro de agua.
- 2) Retire el panel frontal.
- 3) Ponga el interruptor de control (caja de control) en posición "HIELO".

- 9) Reponga el tapón, panel de aislamiento y panel delantero en sus posiciones correctas.
- 10) Limpie el recipiente de almacenamiento.
- 11) Conecte el suministro de corriente y ponga en marcha el proceso automático de fabricación de hielo.
- 12) Espere hasta que finalice un ciclo completo de producción de hielo y descongelación.

COMPROBACIÓN DEL CONTROL DEL RECIPIENTE DE ALMACENAMIENTO

- 1) Con el panel frontal colocado en su sitio, retire los tornillos de apriete manual del borde superior del deflector de hielo del recipiente de almacenamiento y deje que pivote sobre los acoples laterales.
- 2) Mantenga un poco de hielo contra el bulbo de control del recipiente. El productor debe detenerse en un periodo de 10 segundos.
- 3) Vuelva a colocar los tornillos de apriete manual y cierre la puerta del recipiente de almacenamiento.
- 4) Compruebe que el productor de hielo se pone en marcha de nuevo.

9. OPERACIÓN

Los pasos en la secuencia de puesta en marcha/operación son los siguientes:

1) Ciclo de llenado de 1 minuto

La unidad comienza siempre con el ciclo de llenado de 1 minuto. Cuando se conecta corriente eléctrica a la unidad, la válvula del agua se activa y empieza el periodo de llenado. Tras 1 minuto, el tablero comprueba que el interruptor de flotador está cerrado. Si el interruptor de flotador está cerrado, empieza el ciclo de recogida de producto (hielo). En caso contrario, la unidad no se pondrá en marcha hasta que exista un volumen adecuado de agua en el sumidero. Esto sirve como corte de seguridad para bajos niveles de agua. La válvula del agua se mantendrá activada durante ciclos adicionales de 1 minuto hasta que entre suficiente agua en el sumidero y el interruptor de flotador se cierre.

2) 1º ciclo de recogida de producto

El compresor se pone en marcha, la válvula de gas caliente se abre, la válvula del agua permanece abierta y comienza la recogida de producto. A medida que se calienta el evaporador, el termistor ubicado en la tubería de succión comprueba que hay una temperatura de 9°C. Cuando se alcanza esta temperatura, el proceso de recogida de producto pasa al temporizador ajustable de descongelación del tablero de control, el cual ha sido ajustado en fábrica para las condiciones normales. Este ajuste permite realizar variaciones en el temporizador de descongelación de 1 a 3 minutos. La válvula de agua se cierra y el motor de la bomba se pone en funcionamiento durante los últimos 50 segundos de descongelación.

3) Ciclo de congelación

Después de que termine el ciclo de recogida de producto, las válvulas de gas caliente y del agua se cierran y comienza el ciclo de producción de hielo. Durante los primeros 5 minutos, el tablero de control no aceptará señales del interruptor de flotador. Esta congelación mínima de 5 minutos

actúa como protección contra cortocircuitos. Al finalizar los 5 minutos, el interruptor de flotador asume el control. A medida que aumenta el hielo en el evaporador, el nivel de agua en el sumidero desciende. La congelación continua hasta que se abre el interruptor de flotador y finaliza la producción de hielo.

4) Bombeo del producto recogido

Cuando se abre el interruptor de flotador y señala la finalización del ciclo de congelación, empieza el ciclo de recogida de producto. La válvula del gas caliente se abre y el compresor sigue funcionando. El temporizador del desagüe empieza a contar el bombeo de 10/20 segundos.

La bomba de agua se detiene durante 15 segundos y se invierte, tomando agua de la parte inferior del sumidero y forzando la presión contra el sello de la válvula de comprobación, permitiendo que el agua pase a través de la válvula de comprobación y baje al desagüe. Al mismo tiempo, el agua fluye a través de la tubería pequeña para inundar el interruptor de flotador. Cuando el temporizador detiene el conteo, el bombeo ha finalizado.

El bombeo siempre se produce en la primera recogida de producto después del ciclo inicial de congelación. El tablero de control permite realizar un ajuste para que el bombeo se produzca en cada ciclo, o cada 2º, 5º o 10º ciclo a partir de este punto.

5) Ciclo normal de recogida de producto

La válvula de agua se abre para permitir que el agua contribuya a la recogida del producto. A medida que se calienta el evaporador, el termistor alcanza 9°C. El tablero de control recibe la señal del termistor y pone en marcha el temporizador de descongelación. La válvula de agua se cierra y el motor de la bomba se pone en funcionamiento durante los últimos 50 segundos de descongelación. Cuando el temporizador de descongelación finaliza su cuenta atrás, el ciclo de descongelación ha terminado y comienza el siguiente ciclo de congelación.

La unidad continua las secuencias 3), 4) y 5) hasta que el control del recipiente detecta hielo y desconecta la unidad.

Nota: Si el productor de hielo no inicia o finaliza un ciclo de funcionamiento, póngase en contacto con su distribuidor Hoshizaki más cercano para que le facilite orientación.

10. LISTA FINAL DE COMPROBACIÓN

- 1) ¿El productor está nivelado?
- 2) ¿El productor está en un emplazamiento donde la temperatura ambiente se encuentre entre +7°C y +40°C durante todo el año?
- 3) ¿Existe como mínimo una separación de 15 cm alrededor del productor para facilitar su mantenimiento o servicio?
- 4) ¿Han sido retiradas del productor todas las cintas de envío, embalajes y cartones? ¿Se encuentran en su posición correcta las guías de los cubitos? ¿Están bien sujetos los separadores con las abrazaderas de sujeción? Ver Fig. 7.
- 5) ¿Se han realizado todas las conexiones eléctricas y de tuberías?
- 6) ¿Se ha comprobado el voltaje del suministro de corriente con las indicaciones de la placa de características? Y, ¿se ha efectuado una conexión a tierra adecuada de la máquina de hielo?
- 7) ¿Se han instalado las válvulas de corte en las tuberías de suministro de agua y de desagüe? ¿Se ha comprobado la presión del suministro de agua para asegurarse de que existe una presión mínima de 0,7 bar y máxima de 8 bar?

 Nota: El productor de hielo puede detenerse cuando el suministro de agua está desconectado, o si la presión cae por debajo de 0,7 bar. Cuando se alcanza la presión adecuada de agua, el productor se pone de nuevo en funcionamiento de forma automática.
- 8) ¿El compresor tiene apretados los pernos y se han comprobado las tuberías del refrigerante para detectar vibraciones y posibles fallos?
- 9) ¿Se ha comprobado que funciona correctamente el interruptor de control del recipiente?
- 10) ¿El usuario final ha recibido el manual de instrucciones y ha sido instruido en la forma de operar el productor y la importancia del mantenimiento periódico recomendado?
- 11) ¿Se le ha dado al usuario final el nombre y número de teléfono del representante autorizado del servicio técnico?
- 12) Asegúrese de que todos los componentes, afianzadores y tornillos de mariposa están fijos en su lugar tras la instalación. Asegúrese de que ninguna pieza haya caído en la cuba de almacenamiento.

IMPORTANT

1. Pour effectuer l'installation du produit comme il convient, et en toute sécurité, veuillez lire attentivement la présente notice et suivre les instructions qu'elle contient.
2. Après installation, mettre le distributeur en marche pour dépister tout défaut de fonctionnement éventuel, et indiquer à l'utilisateur la façon de se servir et d'entretenir son appareil conformément à la notice d'instructions.
3. La présente notice doit être remise à l'utilisateur après installation et celui-ci la conservera avec la notice d'instructions pour toute consultation ultérieure éventuelle.

AVERTISSEMENT

L'installation doit être effectuée par du personnel qualifié, en respectant les réglementations en vigueur et en suivant les consignes du fabricant.

1. DEBALLAGE

AVERTISSEMENT

Les enfants doivent être tenus à l'écart de tous les éléments d'emballage (sacs en plastique et polystyrène expansé) car ils sont potentiellement dangereux.

ATTENTION

Enlevez le carton d'emballage, le(s) ruban(s) et les matériaux d'emballage. S'il reste des matériaux d'emballage dans le distributeur, enlevez-les pour ne pas entraver son fonctionnement.

N.B.: Ce distributeur de cubelets nécessite un bac de stockage. Le bac de stockage recommandé est le bac HOSHIZAKI, Modèle B série 800.

- 1) Après avoir déposé l'emballage, assurez-vous que l'appareil soit en bon état. En cas de doute, ne pas utiliser l'équipement mais s'adresser directement au personnel professionnellement qualifié. Voir la fiche d'instructions fixée au bac de stockage concernant les directives de déballage et d'installation.
- 2) Déposer les panneaux pour éviter de les endommager au moment de l'installation du distributeur. (Voir «2. LE DEMONTAGE DES PANNEAUX.»)
- 3) Enlever les paquets contenant les accessoires du compartiment compresseur.

- 4) Retirer le film plastique protecteur des panneaux. Si le distributeur a été exposé au soleil ou à la chaleur, ne retirer le film qu'après refroidissement de l'appareil.
- 5) Vérifier que les conduites de réfrigérant ne se touchent pas ni ne touchent d'autres surfaces, et que les pales du ventilateur tournent librement.
- 6) Vérifier que le compresseur repose bien sur toutes ses cales anti-vibrations.
- 7) Voir la plaque du constructeur sur le panneau arrière, et vérifier que la tension secteur correspond bien à la tension spécifiée sur la plaque.
- 8) Retirer les bandes adhésives d'expédition qui fixent le guide des cubes.

2. LE DEMONTAGE DES PANNEAUX – Voir Fig. 1

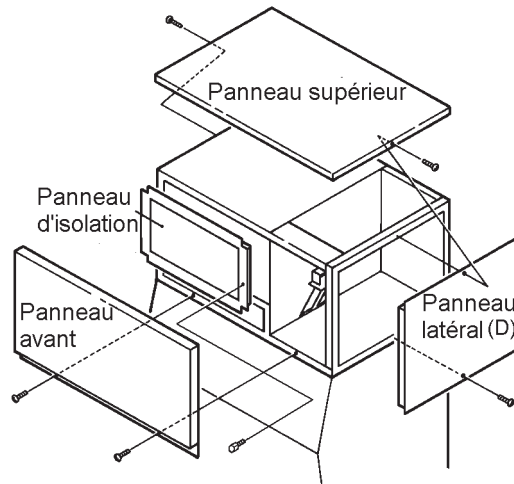


Fig. 1

- a) Panneau avant: Déposer les deux vis, soulever et tirer vers soi.
- b) Panneau supérieur: Déposer les deux vis, puis soulever.
- c) Panneau latéral (D): Déposer la vis. Tirer légèrement vers soi, puis enlever.
- d) Panneau d'isolation: Déposer la vis moletée. Soulever légèrement et tirer vers soi.

3. EMPLACEMENT

IMPORTANT

1. Ce distributeur n'est pas prévu pour être utilisé à l'extérieur. La température ambiante normale de son fonctionnement doit être comprise entre + 7°C et + 40°C. La température normale de l'eau de service doit être comprise entre + 7°C et + 35°C. Si le distributeur fonctionne pendant des périodes prolongées, en dehors de ces températures normales, cela peut influencer sa capacité de production.
2. Le distributeur ne doit pas être positionné à côté de fours, grills ou autres équipements produisant de la chaleur.
3. Il doit être positionné sur un sol ferme et de niveau.
4. Il faut laisser un dégagement de 15 cm à l'arrière, sur les côtés et sur le dessus pour une bonne circulation de l'air et pour faciliter les opérations de maintenance et/ou de réparation éventuellement nécessaires.
5. Cet appareil ne doit pas être installé dans un endroit où un jet d'eau pourrait être utilisé, car il n'est pas étanche à l'arrosage.
6. Ne rien placer devant la grille.
7. Cet appareil ne fonctionne pas aux températures inférieures à zéro. Pour éviter d'endommager la conduite d'alimentation d'eau, vidangez le distributeur quand la température de l'air est inférieure à zéro.

4. INSTALLATION

- L'installation doit être effectuée par du personnel qualifié, conformément aux réglementations actuelles, et aux instructions du fabricant.
 - Une mauvaise installation peut être la cause d'accidents pour les personnes, les animaux et peut endommager l'appareil ou le lieu de son installation. Dans ce cas, le fabricant ne peut être tenu responsable.
- 1) Déballez le bac de stockage et fixez les quatre pieds réglables fournis (accessoires) en bas du bac de stockage.
 - 2) Positionnez le réservoir dans la position permanente choisie.
 - 3) Placez le distributeur sur le haut du bac de stockage en faisant attention de ne pas endommager le joint d'étanchéité de ce réservoir.
 - 4) Fixez la machine à glace sur le bac de stockage au moyen des deux supports de fixation et des boulons fournis. Voir Fig. 2.

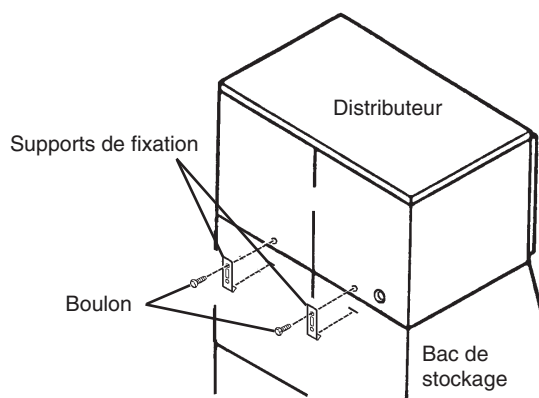


Fig. 2

ATTENTION

Avant d'utiliser la machine à glace, le thermostat de commande de bac doit être installé correctement.

- 5) Installez le thermostat de commande de bac comme suit. Voir Fig. 3a et 3b.
 - (a) Retirez la chicane du bac.
 - (b) Retirez l'attache qui fixe le groupe du thermostat de commande de bac. Retirez les deux vis à tête de violon.
 - (c) Retirez le groupe du thermostat de commande de bac du crochet de transport en le soulevant puis en le décalant vers la droite. Abaissez le support d'extension du thermostat (inox) avec la plaque de l'ampoule du thermostat et l'ampoule du thermostat et faites-les passer par le trou dans le bas de la machine à glace. Abaissez ensuite le support du thermostat (plastique) à travers le trou.

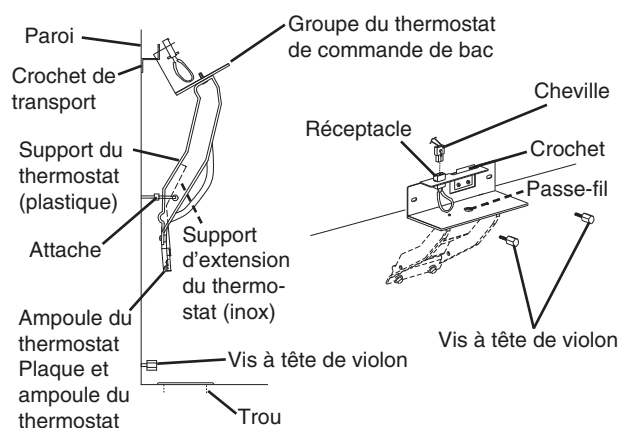


Fig. 3a

- (d) Assurez-vous que le côté gauche et le dessous du groupe sont bien contre la paroi et le panneau de base.
- (e) Fixez le groupe à l'aide des vis à tête de violon (sauf si vous installez une seconde unité). (voir "5. EMPILAGE DE DEUX MACHINES À GLACE.")
- (f) Insérez la cheville dans le réceptacle du groupe jusqu'à ce qu'elle se mette en place.
- (g) Retirez les deux vis de la partie inférieure du support du thermostat (plastique), et utilisez-les pour fixer le support d'extension du thermostat (inox) au support du thermostat (plastique).

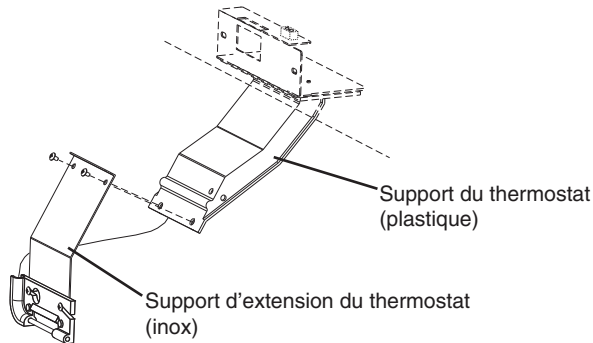


Fig. 3b

- 6) Mettez la machine à glace et le bac de stockage de niveau dans les deux sens : à la fois de gauche à droite et d'avant en arrière. Réglez les pieds du bac de stockage afin de mettre la machine à glace de niveau.
- 7) Remettez les panneaux et la chicane en position correcte (sauf si vous installez une seconde unité). (voir "5. EMPILAGE DE DEUX MACHINES À GLACE.")

5. EMPILAGE DE DEUX MACHINES À GLACE - Voir fig. 4 et 5

- 1) Voir "4. INSTALLATION" pour savoir comment installer l'unité inférieure.
- 2) Retirez le panneau supérieur et l'isolation supérieure de l'unité inférieure. Le panneau supérieur et l'isolation supérieure de l'unité inférieure ne sont pas nécessaires lors de l'installation de la seconde machine à glace.
- 3) Déballez la seconde machine à glace (unité supérieure), et retirez-en le carton de transport, la bande adhésive et les matériaux d'emballage.
- 4) Retirez les panneaux de la seconde machine à glace.
- 5) Posez l'unité supérieure au-dessus de l'unité inférieure.
- 6) Fixez l'unité supérieure à l'unité inférieure à l'aide des deux supports de fixation et des boulons fournis.

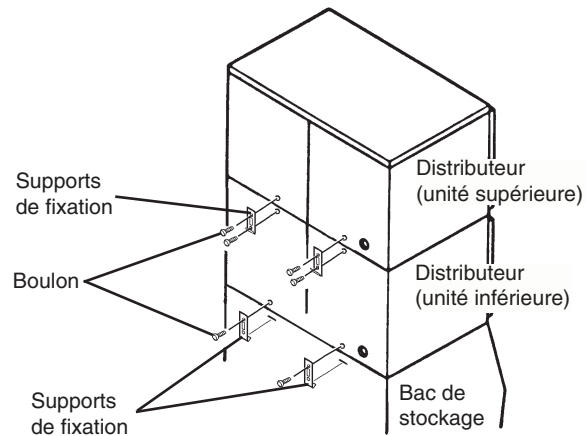


Fig. 4

- 7) Retirez l'attache qui fixe le groupe du thermostat de commande de bac de l'unité supérieure.
- 8) Retirez le groupe du thermostat de commande de bac du crochet de transport en le soulevant puis en le décalant vers la droite.
- 9) Retirez la plaque de l'ampoule du thermostat de l'unité supérieure du support d'extension du thermostat (inox).
- 10) Retirez doucement l'ampoule du thermostat de la plaque de l'ampoule du thermostat de l'unité supérieure.
- 11) Faites doucement passer l'ampoule du thermostat et le tube capillaire de l'unité supérieure dans le trou inférieur de l'unité supérieure. Retirez le passe-fil du groupe du thermostat de commande de bac inférieur. Faites passer l'ampoule et le tube par le trou du groupe et faites-les descendre dans le bac. Réfixez le passe-fil.
- 12) Fixez le groupe du thermostat de commande de bac inférieur à l'aide des vis à tête de violon.
- 13) Insérez doucement l'ampoule du thermostat afin de la replacer dans sa plaque.
- 14) Fixez la plaque de l'ampoule du thermostat de l'unité supérieure à celle de l'unité inférieure à l'aide des vis de l'unité supérieure.
- 15) Insérez la cheville de l'unité supérieure dans le réceptacle du groupe du thermostat de commande de bac de l'unité inférieure jusqu'à ce qu'elle se mette en place.
- 16) Remettez les panneaux et la chicane en position correcte.

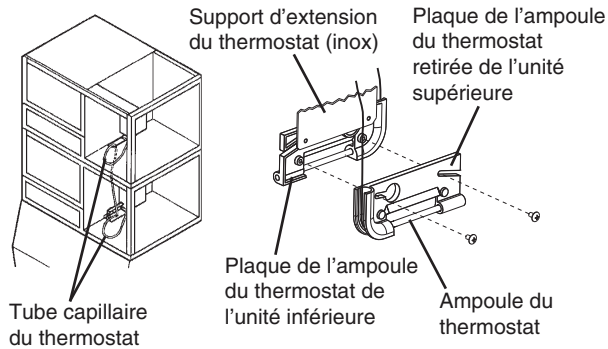


Fig. 5

6. RACCORDEMENTS ELECTRIQUES

— AVERTISSEMENT —

CET APPAREIL DOIT ETRE MIS A LA TERRE

Le distributeur doit avoir une terre qui respecte les réglementations électriques nationales et locales. Pour éviter tout risque d'électrocution grave ou de détérioration importante du matériel, reliez au distributeur un fil de terre adéquat. Avant d'entreprendre n'importe quelle opération d'entretien, de réparation ou de nettoyage, débranchez le cordon d'alimentation du secteur.

- Ce distributeur doit être alimenté séparément. Voir la plaque du constructeur. Il est recommandé d'avoir un circuit d'alimentation secteur propre à cet appareil.
- Les distributeurs empilés doivent avoir chacun un réceptacle séparé, mais ils doivent tous être raccordés en parallèle à la même alimentation monophasée ou circuit d'ampérage suffisant.
- L'ouverture pour le raccordement d'alimentation secteur est de 22,2 mm de diamètre pour accommoder une gaine.
- Si l'on utilise un cordon d'alimentation pour amener l'électricité au distributeur, au lieu de la gaine permanente, il convient d'installer un passe-fil au niveau du raccordement 22.2 mm de l'alimentation secteur. Ce passe-fil doit être de la taille appropriée pour le cordon d'alimentation secteur qui est installé. La section des conducteurs de ce cordon d'alimentation secteur doit correspondre à la consommation électrique de ce distributeur.

Comme il est possible que le codage couleur des fils du cordon d'alimentation ne corresponde pas au repérage des bornes sur votre fiche, effectuez le raccordement électrique comme suit :

Le fil vert-et-jaune doit être relié à la borne de la fiche repérée par la lettre E ou par le symbole $\frac{1}{\text{E}}$, ou codée en vert ou vert-et-jaune. Le fil bleu doit être relié à la borne repérée par la lettre N ou la couleur noire. Le fil marron doit être relié à la borne repérée par la lettre L ou la couleur rouge.

- Il faut généralement obtenir une autorisation pour effectuer l'installation électrique, et recourir aux services d'un électricien qualifié.

7. RACCORDEMENTS DE L'ARRIVEE D'EAU ET DE LA VIDANGE - Voir Fig. 6.

AVERTISSEMENT

Pour éviter d'endommager la pompe, ne pas faire fonctionner le distributeur de cubelets quand l'alimentation d'eau est coupée, ou si la pression est inférieure à 0.7 bar.
Ne pas faire fonctionner le distributeur tant que la pression d'eau adéquate n'est pas atteinte.

- Ce distributeur ne doit utiliser que de l'eau potable
- Le raccordement aux amenées d'eau ne doit être fait que par un technicien qualifié
- Le raccord d'arrivée d'eau est de filetage 1/2 «FTP femelle.
- Il est recommandé d'installer une vanne d'arrêt d'alimentation d'eau ainsi qu'un robinet de vidange. Il est recommandé d'utiliser une vanne à boisseau sphérique pour la vanne d'arrêt. Un type de vanne autre qu'une vanne à boisseau sphérique ne devra pas avoir une ouverture minimum plus petite que le diamètre intérieur de la ligne d'alimentation d'eau car cela peut réduire le débit et entraîner une mauvaise décongélation ou la congélation. Il est recommandé d'utiliser du tube cuivre de diamètre extérieur 13 mm au minimum.
- La pression de l'alimentation d'eau doit être au minimum de 0.7 bar et d'au maximum 8 bar. Si la pression dépasse 8 bar, il est nécessaire d'utiliser une vanne réductrice de pression. **NE PAS** tenter de réduire au niveau du robinet d'alimentation.
- Le raccord de vidange du distributeur et du bac de stockage est de 3/4» FTP. La vidange de la condensation est un tuyau de 10 mm diamètre intérieur. Les tuyauteries de raccordement pour la vidange du distributeur doivent être effectuées séparément de celles de la vidange du réservoir. La vidange finale doit être équipée d'une aération pour assurer un bon débit pendant le cycle de récolte (Voir Fig. 6).
- Pour le soudage, ne PAS utiliser des raccords soudés car l'application de la chaleur au distributeur ou au réservoir peut endommager les raccordements intérieurs.
- Les vidanges doivent avoir une dénivellation de 2 cm pour 30 cm sur les écoulements horizontaux afin d'avoir un bon écoulement.
- Les vidanges ne doivent pas être raccordées directement au circuit d'évacuation d'eaux usées. Il faut laisser un espace d'air d'un minimum de 5 cm verticalement entre l'extrémité du tuyau de vidange du distributeur ou du réservoir et l'orifice de l'évacuation au niveau du sol (Voir Fig. 6).
- Ce distributeur doit être installé conformément aux réglementations nationales, provinciales et locales.

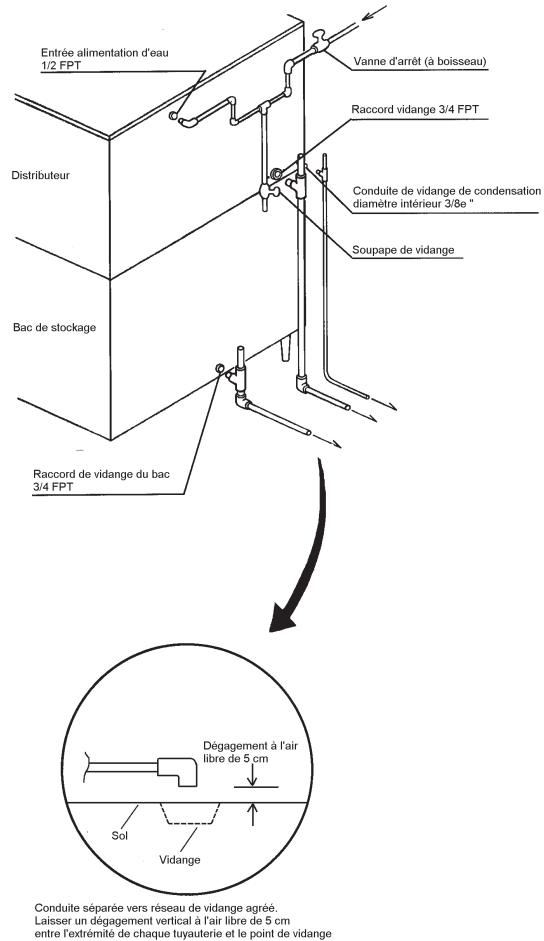


Fig. 6

8. MISE EN ROUTE

AVERTISSEMENT

1. Le distributeur est conçu pour produire et stocker de la glace alimentaire. Pour le maintenir dans un parfait état d'hygiène :
 - Lavez-vous les mains avant d'enlever de la glace
 - Utilisez la pelle plastique fournie (accessoire)
 - Le bac de stockage n'est réservé que pour la glace. Ne stockez rien d'autre dans ce bac.
 - La pelle doit toujours être propre. Nettoyez-la avec un produit détergent neutre et rincez-la soigneusement.
 - Fermez la porte immédiatement après avoir enlevé la glace pour empêcher la pénétration de saletés, de poussière ou d'insectes dans le réservoir.
2. Toute utilisation d'équipements électriques exige l'observation de certaines règles fondamentales, en particulier :
 - L'apparition d'un degré d'humidité élevé augmente le risque des courts-circuits et des électrocutions. En cas de doute, débranchez la machine.
 - Ne pas utiliser l'appareil si vous êtes pieds nus.
 - Pour déconnecter la machine du secteur, ne tirez pas sur le cordon électrique.
 - Cet appareil ne doit pas être confié à de jeunes enfants sans surveillance ni à des personnes âgées ou infirmes.
3. Toutes les pièces sont réglées en usine. Tout mauvais réglage peut provoquer une panne.
4. Si l'appareil est débranché, attendez au moins 3 minutes avant de remettre le distributeur de cubelets en route pour éviter toute détérioration du compresseur.
5. Ne pas faire fonctionner le groupe en position LAVAGE sans eau dans le réservoir d'eau. Cela endommagerait le joint d'étanchéité de la pompe à eau.

4. Replacer le panneau avant dans sa position correcte
5. Etablir l'alimentation électrique et laisser le réservoir d'eau se remplir d'eau et le distributeur fonctionner pendant 10 mn en tout (voir 9 pour la Séquence des opérations).
6. Vérifiez l'absence de fuites d'eau au niveau des raccords d'alimentation d'eau et de vidange.
7. Couper l'alimentation électrique, et déposer le panneau avant.
8. Déposez le panneau d'isolation. Déposez le capuchon qui se trouve dans la partie inférieure avant de la trappe d'évacuation de glace. Vidangez le réservoir d'eau pour évacuer toutes particules détachées. (Voir Fig. 7).

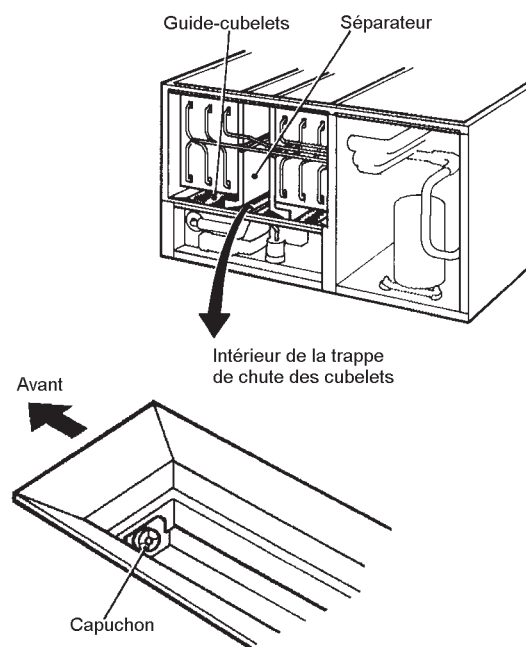


Fig. 7

1. Ouvrir le robinet d'arrêt de la conduite d'alimentation d'eau.
2. Enlever le panneau avant
3. Mettre le commutateur de commande de la boîte de commande en position «GLACE».

9. Remettre le tube de la pompe en place et le couvercle du socle en bonne position.
10. Nettoyer le bac de stockage.
11. Rétablir l'alimentation électrique et démarrer le processus de fabrication de glace automatique.
12. Attendre d'avoir terminé un cycle complet de fabrication de glace et décongélation.

VERIFICATION DE LA COMMANDE DE RESERVOIR

- 1) Le panneau étant en place, retirer les vis moletées qui se trouvent sur le bord supérieur du déflecteur de glace du bac de stockage, et laisser pivoter sur les fixations latérales.
- 2) Maintenir une certaine quantité de glace contre le bulbe de commande de réservoir. Le distributeur doit normalement s'arrêter dans les 10 secondes qui suivent.
- 3) Remettre les vis moletées en place et fermer la porte du réservoir.
- 4) Vérifier que le distributeur redémarre.

9. FONCTIONNEMENT

Les étapes de la séquence de mise en route / fonctionnement sont les suivantes :

1) Cycle de remplissage d'1 minute

Le groupe commence toujours par un cycle de remplissage d'1 minute. Quand il est mis sous tension, la vanne d'eau est excitée et la période de remplissage commence. Après 1 minute, le panneau vérifie que la valve à flotteur est fermée. Si c'est le cas, le cycle d'accumulation commence. Sinon, le groupe ne démarrera pas sans une quantité d'eau adéquate dans le réservoir. Cela sert de sécurité niveau bas. La vanne d'eau reste excitée pendant des cycles supplémentaires de 1 minute jusqu'à ce qu'une quantité suffisante d'eau pénètre dans le réservoir et que la soupape à flotteurs se ferme.

2) Premier cycle de production

Le compresseur démarre, la soupape à gaz chaud s'ouvre, le robinet d'eau reste ouvert et la production commence. Au fur et à mesure que l'évaporateur se réchauffe, le thermistor se trouvant sur la ligne d'aspiration vérifie qu'il y ait une température de 9°C. Quand cette température est atteinte, la production est sous le contrôle du temporisateur de décongélation réglable du tableau de commande, qui est réglé en usine pour des conditions normales. Ce réglage peut faire varier le temporisateur de décongélation de 1 à 3 minutes qui est réglé en usine pour des conditions normales. La vanne d'eau se ferme et le moteur de la pompe fonctionne pendant les 50 dernières secondes de récolte.

3) Cycle de congélation

Quand le temporisateur a terminé le cycle de récolte, les robinets de gaz chaud et d'eau se ferment, et le cycle de production de glace peut commencer. Pendant les 5 premières minutes, le tableau de commande refuse tout signal du contact à flotteur. Ce délai minimum de congélation de 5 minutes sert de protection contre un court-cycle. A la fin des 5 minutes, le contact à flotteur prend la commande. Au fur et à mesure que la glace s'accumule sur l'évaporateur, le niveau d'eau dans

le réservoir baisse. La congélation continue jusqu'à ce que le contact à flotteur s'ouvre et arrête la production de glace.

4) Arrêt de la pompe de récolte

Quand le contact à flotteur s'ouvre et signale la fin du cycle de congélation, le cycle de récolte commence. La soupape à gaz chaud s'ouvre et le compresseur continue à fonctionner. Le temporisateur de vidange commence à compter une évacuation par pompage de 10 à 20 secondes.

La pompe à eau s'arrête pendant 15 secondes et fonctionne en sens inverse, ce qui prend l'eau du fond du réservoir et exerce une pression contre le siège de la soupape de retenue, ce qui permet à l'eau de passer par la soupape de retenue et de se vidanger. En même temps, de l'eau s'écoule par le petit tube pour rincer le contact à flotteur. Quand le temps du temporisateur de vidange s'est écoulé, le pompage est terminé.

L'évacuation par pompage se produit toujours à la première récolte après le cycle de congélation initiale. Le tableau de commande permet de régler le pompage pour qu'il se produise à chaque cycle, tous les 2 cycles, tous les 5 ou 10 cycles à partir de ce point.

5) Cycle Normal de Récolte

Le clapet d'eau s'ouvre pour laisser l'eau aider la récolte. L'évaporateur se réchauffe progressivement et le thermistor atteint 9°C. Le tableau de commande reçoit le signal du thermistor et démarre le temporisateur de décongélation. La vanne d'eau se ferme et le moteur de la pompe fonctionne pendant les 50 dernières secondes de récolte. Quand la période du temporisateur de décongélation est écoulée, le cycle de décongélation est terminé et le nouveau cycle de congélation commence.

Le groupe passe aux séquences 3), 4) et 5) jusqu'à ce que la commande du réservoir détecte de la glace et arrête le groupe.

N.B.: Si le distributeur ne commence pas ou ne termine pas un cycle de fonctionnement, veuillez contacter votre distributeur Hoshizaki le plus proche pour obtenir de l'aide.

10. CHECK LIST FINALE

- 1) Le distributeur est-il de niveau ?
- 2) Le distributeur est-il situé dans un endroit où la température ambiante est comprise entre + 7°C et + 40°C pendant toute l'année ?
- 3) Existe-t-il un dégagement d'au moins 15 cm tout autour de l'appareil pour la maintenance ou les réparations ?
- 4) Toutes les bandes adhésives, cartons et éléments de conditionnement ont-ils été enlevés du distributeur ? Les guides des cubes sont-ils dans leur position correcte ? Les séparateurs sont-ils bien fixés à leurs pinces de support ? Voir Fig. 7.
- 5) Tous les raccordements de tuyauterie et électriques ont ils été faits ?
- 6) La tension d'alimentation secteur a-t-elle été vérifiée ou testée par rapport à ce qui est indiqué sur la plaque du fabricant ? La machine a-t-elle été reliée à une prise de terre correcte ?
- 7) La vanne d'arrêt et la vanne de vidange de la conduite d'alimentation d'eau ont-elles été installées ? A-t-on vérifié que la pression d'alimentation d'eau soit au minimum de 0.7 bar et au maximum de 8 bar ?

N.B.: Le distributeur peut s'arrêter de fonctionner quand l'alimentation d'eau est coupée, ou quand la pression est inférieure à 0.7 bar. Quand la pression d'eau appropriée est rétablie, le distributeur se remet automatiquement en marche.
- 8) Les boulons de retenue du compresseur et les conduites de réfrigérants ont-ils été vérifiés contre les problèmes de vibrations et les pannes qu'ils peuvent entraîner ?
- 9) Le bon fonctionnement du contact de commande du réservoir a-t-il été vérifié ?
- 10) A-t-on remis à l'utilisateur la notice d'instructions et lui a-t-on indiqué comment faire fonctionner le distributeur et souligné l'importance de la maintenance périodique recommandée ?
- 11) A-t-on remis à l'utilisateur le nom et le numéro de téléphone d'un agent de maintenance agréé ?
- 12) Assurez-vous que tous les composants, attaches et vis à tête de violon sont bien fixés après l'installation. Assurez-vous qu'aucun de ces éléments n'est tombé dans le bac de stockage.

IMPORTANTE

1. Per un'installazione sicura e affidabile del prodotto, leggere prima attentamente questo opuscolo e seguire le istruzioni in esso contenute.
2. Una volta completata l'installazione, avviare la macchina per controllare che non presenti anomalie e istruire l'utente sull'uso e la manutenzione della macchina secondo quanto previsto dal manuale di istruzione.
3. Ad installazione avvenuta, consegnare questo opuscolo all'utente che dovrà conservarlo unitamente al manuale di istruzione per eventuali riferimenti futuri.

AVVERTENZA

L'installazione deve essere eseguita da personale qualificato, in ottemperanza alle norme vigenti e secondo le indicazioni del fabbricante.

1. Disimballaggio

AVVERTENZA

Tenere i bambini lontano dai componenti dell'imballo (sacchetti di plastica e polistirolo espanso) poiché costituiscono potenziali fonti di pericolo.

ATTENZIONE

Rimuovere il cartone di imballaggio, il nastro adesivo e l'involucro. Il distributore non può funzionare se al suo interno sono presenti residui del materiale di imballaggio.

Nota: questo apparecchio per la produzione di ghiaccio necessita di una vaschetta di deposito. Si raccomanda di usare una vaschetta Hoshizaki di un modello della serie B-800.

1. Dopo aver rimosso l'imballaggio, assicurarsi che la macchina sia in buone condizioni. Nel dubbio, non metterlo in funzione e rivolgersi a personale qualificato. Consultare il foglio con le istruzioni allegato alla vaschetta di deposito per le indicazioni sul disimballaggio e l'installazione.
2. Prima di procedere con l'installazione, togliere i pannelli per evitare possibili danni (vedere 2. Rimozione dei pannelli).
3. Togliere l'imballo contenente gli accessori dal vano compressore.

4. Rimuovere la pellicola protettiva dai pannelli. Se la macchina è esposta al sole o ad altra fonte di calore, rimuovere la pellicola dopo averla fatta raffreddare.
5. Controllare che i condotti del refrigerante non siano a contatto tra loro o con altre superfici e che le pale della ventola possano ruotare liberamente.
6. Controllare che il compressore sia posizionato correttamente sui relativi blocchetti.
7. Verificare che il voltaggio applicato sia quello riportato sulla targhetta posta sul pannello posteriore.
8. Togliere il nastro da imballaggio che fissa le guide della cubettatrice.

2. Rimozione dei pannelli (vedere Fig. 1)

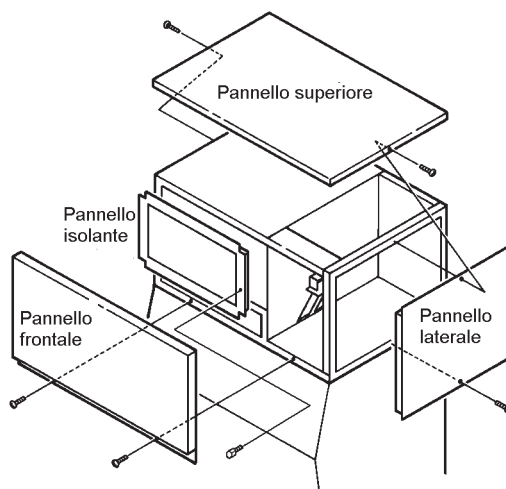


Fig. 1

- a) Pannello frontale: Togliere le due viti, sollevare e tirare verso di sé.
- b) Pannello superiore: Togliere le due viti, e sollevare per togliere.
- c) Pannello laterale (Dx): Togliere la vite, tirare leggermente verso di sé e togliere.
- d) Pannello isolante: Togliere la vite a testa zigrinata, sollevare leggermente e tirare verso di sé.

3. Ubicazione

IMPORTANTE

1. Questo apparecchio non è stato progettato per l'uso all'aperto. La temperatura dell'ambiente di esercizio dovrebbe mantenersi tra i 7°C e i 40°C, e quella dell'acqua tra i 7°C e i 35°C. Impiegare per lungo tempo questo apparecchio a temperature diverse da quelle indicate potrebbe danneggiarne seriamente la capacità produttiva.
2. Questo apparecchio non dovrebbe essere collocato in prossimità di forni, grill o altre fonti di calore.
3. Collocare l'apparecchio su una superficie solida e piana.
4. Lasciare uno spazio di 15 cm al di sopra dell'apparecchio e in corrispondenza delle pareti laterali e posteriore dell'apparecchio per favorire il passaggio dell'aria ed eventuali interventi di manutenzione.
5. Questo distributore non è indicato per l'installazione in aree in cui sia previsto l'uso di idrogetti e dove non sia consentito il gocciolamento.
6. Non collocare alcun oggetto di fronte alla griglia di ventilazione.
7. Questo apparecchio non è in grado di funzionare a temperature al di sotto dello zero. Per evitare danni alla linea idrica, svuotare l'apparecchio in caso la temperatura scenda al di sotto dello zero.

4. Installazione

- L'installazione dell'apparecchio deve essere effettuata da personale qualificato, in base alle norme vigenti e alle istruzioni fornite dal fabbricante.
 - Un'impropria installazione può causare danni all'apparecchio, a persone, animali e cose verso cui il fabbricante non può ritenersi responsabile.
1. Togliere dall'imballo la vaschetta di deposito e montare sul fondo i quattro piedini regolabili in dotazione con gli accessori della vaschetta.
 2. Collocare la vaschetta di deposito nella posizione prescelta.
 3. Collocare l'apparecchio sulla vaschetta di deposito prestando attenzione a non danneggiare le guarnizioni di tenuta.
 4. Fissare la cubettatrice alla vaschetta di deposito, servendosi delle due staffe di montaggio e dei due bulloni in dotazione. Vedere Fig. 2.

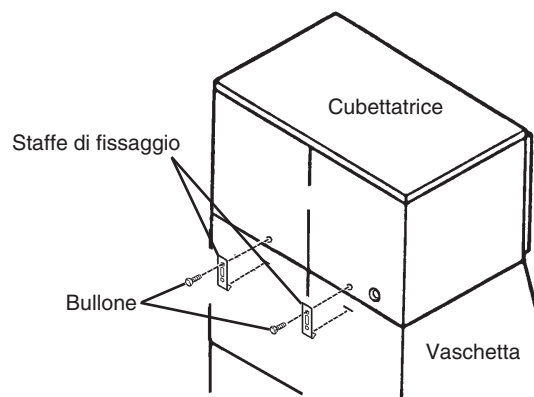


Fig. 2

ATTENZIONE

Prima di avviare la macchina, è necessario installare correttamente il termostato della vaschetta.

- 5) Per installare il termostato della vaschetta, procedere come segue. Vedere Fig. 3a e 3b.
 - (a) Togliere il deflettore dalla vaschetta.
 - (b) Togliere il tirante di fissaggio del termostato della vaschetta. Togliere le due viti a testa piatta.
 - (c) Togliere il termostato della vaschetta dal gancio da trasporto sollevandolo e spostandolo verso destra. Abbassare la prolunga della staffa del termostato (inossidabile) con l'attacco del bulbo del termostato e il bulbo attraverso il foro praticato sul fondo della cubettatrice. Quindi, abbassare la staffa del termostato (plastica) attraverso il foro.

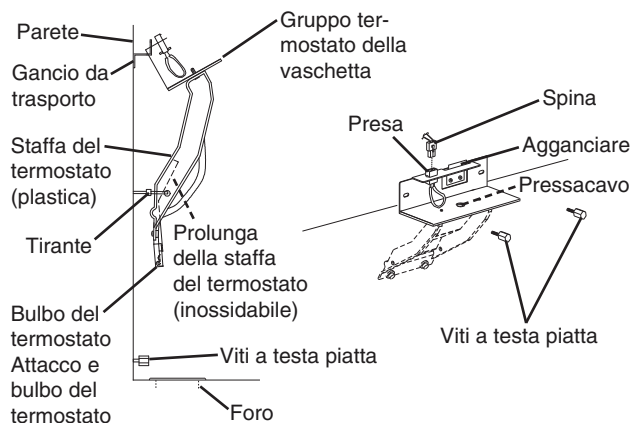


Fig. 3a

- (d) Assicurarsi che il lato sinistro e il fondo del gruppo si trovino contro la parete e il pannello di base.
- (e) Fissare il gruppo con le viti a testa piatta (a meno che non si proceda all'installazione di una seconda cubettatrice). (Vedere "5. Sovrapposizione di due cubettatrici.")
- (f) Inserire la spina nella presa sul gruppo finché non si blocca.
- (g) Togliere le due viti dalla parte inferiore della staffa del termostato (plastica) e utilizzarle per fissare la prolunga della staffa del termostato (inossidabile) alla staffa del termostato (plastica).

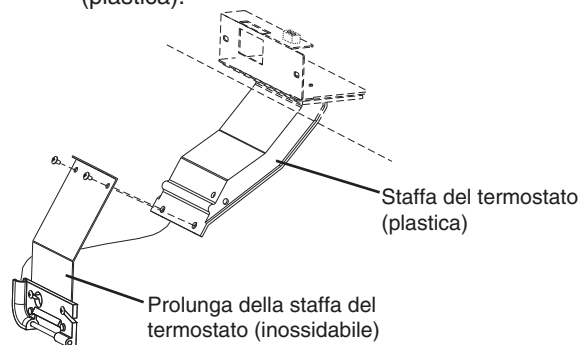


Fig. 3b

- 6) Livellare la cubettatrice e la vaschetta di deposito nelle direzioni sinistra-destra e davanti-indietro. Regolare i piedini della vaschetta di deposito all'altezza della macchina.
- 7) Posizionare i pannelli e il deflettore nel modo corretto (a meno che non si proceda all'installazione di una seconda cubettatrice). (Vedere "5. Sovrapposizione di due cubettatrici.")

5. Sovrapposizione di due cubettatrici: vedere Fig. 4 e 5

- 1) Vedere "4. Installazione" per l'installazione della cubettatrice inferiore.
- 2) Togliere il pannello superiore e l'isolamento superiore della cubettatrice inferiore. Quando si installa la seconda cubettatrice non occorrono né il pannello superiore né l'isolamento superiore della cubettatrice inferiore.
- 3) Disimballare la seconda cubettatrice (superiore) e togliere il cartone, il nastro e il materiale di imballaggio utilizzati per il trasporto.
- 4) Togliere i pannelli della seconda cubettatrice.
- 5) Sovrapporre la cubettatrice superiore a quella inferiore.
- 6) Fissare la cubettatrice superiore alla cubettatrice inferiore servendosi dei bulloni e delle due staffe di montaggio in dotazione.

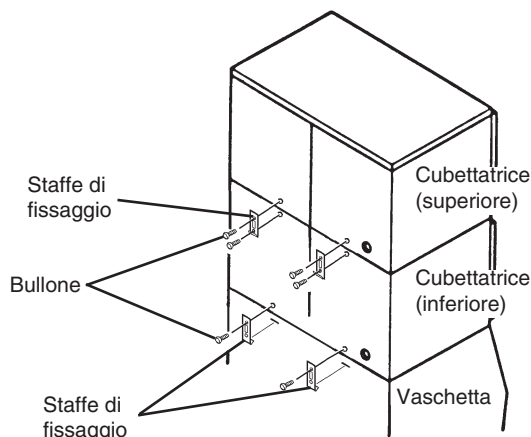


Fig. 4

- 7) Togliere il tirante di fissaggio del termostato della vaschetta della cubettatrice superiore.
- 8) Togliere il termostato della vaschetta dal gancio da trasporto sollevandolo e spostandolo verso destra.
- 9) Togliere l'attacco del bulbo del termostato della cubettatrice superiore dalla prolunga della staffa del termostato (inossidabile).
- 10) Togliere il bulbo del termostato dall'attacco del bulbo della cubettatrice superiore, prestando particolare attenzione.
- 11) Far passare il bulbo del termostato e il tubo capillare della cubettatrice superiore attraverso il foro praticato sul fondo della cubettatrice superiore, prestando particolare attenzione. Togliere il pressacavo dal termostato della vaschetta inferiore. Far passare il bulbo e il tubo attraverso il foro praticato nel gruppo e infine nella vaschetta. Ricollocare il pressacavo.
- 12) Fissare il termostato della vaschetta inferiore con le viti a testa piatta.
- 13) Inserire il bulbo del termostato posteriormente nell'attacco del bulbo, prestando particolare attenzione.
- 14) Fissare l'attacco del bulbo del termostato della cubettatrice superiore all'attacco del bulbo del termostato della cubettatrice inferiore con le viti della cubettatrice superiore.
- 15) Inserire la spina della cubettatrice superiore nella presa del termostato della vaschetta superiore finché non si blocca.
- 16) Posizionare i pannelli e il deflettore nel modo corretto.

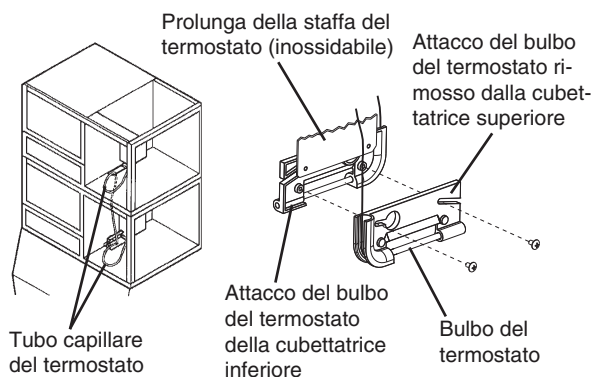


Fig. 5

6. Collegamenti elettrici

AVVERTENZA

Collegare il distributore a una presa di terra

Per questo distributore è necessario disporre di una presa a terra che risponda alle normative vigenti. Per evitare traumi alle persone e danni elettrici all'impianto, collegare il distributore a una presa a terra con un apposito filo. Rimuovere la spina dalla presa di corrente prima di effettuare qualunque intervento di manutenzione, riparazione o pulizia.

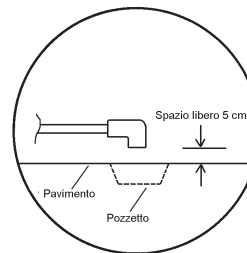
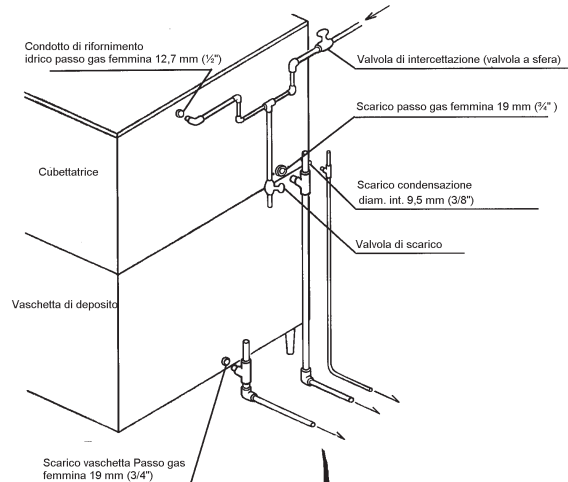
- Questo apparecchio deve essere collegato ad alimentazione separata o a una presa di corrente di adeguata capacità. Controllare quanto riportato sulla targhetta. È consigliabile che la cubettatrice sia l'unico apparecchio elettrico collegato a quel circuito di alimentazione.
 - Le cubettatrici impilate devono disporre di prese di corrente distinte, tuttavia devono essere entrambe collegate in parallelo alla stessa alimentazione (o allo stesso circuito) monofase avente ampere sufficienti.
 - La connessione ha un diametro di 22,2 mm. adatto al condotto.
 - Nei casi in cui venga utilizzato un cavo di alimentazione elettrica per il distributore anziché il collegamento (condotto) permanente, montare un anello premistoppa sul collegamento di 22,2 mm all'alimentazione. Le dimensioni dell'anello premistoppa devono essere adatte al cavo di alimentazione utilizzato, e quelle dei conduttori del cavo devono essere adatte al consumo elettrico del distributore.
- Poiché i colori dei fili nel cavo di alimentazione di questo distributore potrebbero non corrispondere a quelli dello schema precedente utilizzato per la presa di alimentazione, procedere nel modo seguente: Collegare il filo verde e giallo al terminale identificato con la lettera E o con il simbolo $\frac{\perp}{\perp}$ o di colore verde o verde e giallo. Collegare il filo blu al terminale identificato con la lettera N o di colore nero. Collegare il filo marrone al terminale identificato con la lettera L o di colore rosso.
- Di solito sono necessari l'assistenza e la certificazione di un elettricista autorizzato.

7. Collegamenti per alimentazione e scarico acqua

AVVERTENZA

Per evitare danni alla pompa, non utilizzare la cubettatrice senza acqua o con pressione inferiore ai 0,7 bar. Non mettere in funzione l'apparecchio senza prima aver raggiunto la giusta pressione dell'acqua.

- Utilizzare esclusivamente acqua potabile.
- Rivolgersi a personale qualificato per il collegamento dell'apparecchio all'impianto idraulico.
- Il tubo di alimentazione è da 1/2" con passo gas.
- È consigliabile installare una valvola di intercettazione e una di scarico sul condotto di alimentazione. È consigliabile altresì utilizzare una valvola a sfera per la valvola di intercettazione. Per utilizzare un altro tipo di valvola occorre predisporre un'imboccatura di dimensioni superiori a quella del condotto di alimentazione per evitare di ridurre il flusso dell'acqua che potrebbe causare un decadimento delle prestazioni di scongelamento e congelamento. Si raccomanda di utilizzare raccordi in rame di 13 mm per il condotto di alimentazione.
- La pressione dell'acqua di alimentazione deve essere di almeno 0,7 bar e non superare gli 8 bar. Qualora la pressione superi gli 8 bar, usare una valvola di limitazione della pressione. **NON** agire sul rubinetto dell'acqua.
- I condotti di scarico della cubettatrice e della vaschetta di deposito sono da 3/4" con passo gas, mentre quello per la condensa è da 10 mm. I collegamenti dei condotti di scarico dell'apparecchio devono essere separati da quelli della vaschetta. Predisporre un'intercapedine per il pozzetto di raccolta in modo da facilitare lo scolo durante il ciclo di raccolta (vedere Fig. 6).
- **NON** utilizzare guarnizioni in lega per evitare che il riscaldamento dell'apparecchio o della vaschetta possano danneggiare i collegamenti interni.
- Per favorire lo scolo, i condotti di scarico devono essere dotati di 2 cm di caduta e di 30 cm di corsa orizzontale.
- Non collegare lo scarico direttamente all'impianto fognario. Lasciare almeno 5 cm di spazio tra la fine del condotto di scarico dell'apparecchio o della vaschetta del ghiaccio e il pozzetto al suolo (vedere Fig. 6).
- Installare l'apparecchio secondo quanto previsto dalle norme vigenti.



Condotto separato verso pozzetto a norma. Lasciare uno spazio di 5 cm in verticale tra l'estremità di ogni tubo e il pozzetto.

Fig. 6

8. Avviamento

AVVERTENZA

1. Questa macchina è stato progettato per la produzione di ghiaccio ad uso alimentare. Per l'igiene del distributore si consiglia di:
 - Lavarsi le mani prima di togliere il ghiaccio.
 - Utilizzare la paletta di plastica in dotazione con gli accessori.
 - La vaschetta di deposito deve essere utilizzata solo per il ghiaccio: non depositarvi altro materiale.
 - Tenere pulita la paletta di plastica. Pulirla servendosi di un detergente neutro e risciacquare e asciugare.
 - Dopo aver tolto il ghiaccio, richiudere lo sportello per prevenire l'accumulo di sporcizia, polvere o insetti nella vaschetta di deposito.
2. L'uso di qualunque dispositivo elettrico prevede l'osservanza di alcune regole fondamentali. In particolare:
 - L'elevata umidità accresce il rischio di corto circuiti e di folgorazione. Nel dubbio, togliere l'alimentazione al distributore.
 - Non usare l'apparecchio a piedi nudi.
 - Non strappare il cavo di alimentazione dalla spina per scollegare il distributore dalla rete.
 - Questo dispositivo non è adatto all'uso incustodito da parte di bambini, anziani e invalidi.
3. Tutti i componenti sono tarati in fabbrica. Regolazioni improprie possono produrre guasti e anomalie.
4. In caso di spegnimento, attendere almeno 3 minuti prima di riaccendere il distributore, per evitare danni al compressore.
5. Non utilizzare l'apparecchio in posizione "avaggio" mancando l'acqua nel serbatoio: si danneggerebbe la guarnizione della pompa dell'acqua.

- 5) Accendere l'apparecchio e attendere circa 10 minuti fino al riempimento del serbatoio dell'acqua e che l'apparecchio inizi a produrre ghiaccio (vedere sul capitolo 9. la sequenza di funzionamento).
- 6) Verificare il rifornimento idrico ed i raccordi di scarico, accertando che non vi siano fuoriuscite.
- 7) Spegner l'apparecchio e togliere il pannello frontale.
- 8) Togliere il pannello isolante ed il tappo montato sulla parte anteriore del foro di uscita del ghiaccio, in basso. Scaricare il serbatoio dell'acqua (vedere Fig. 7) per eliminare eventuali residui.

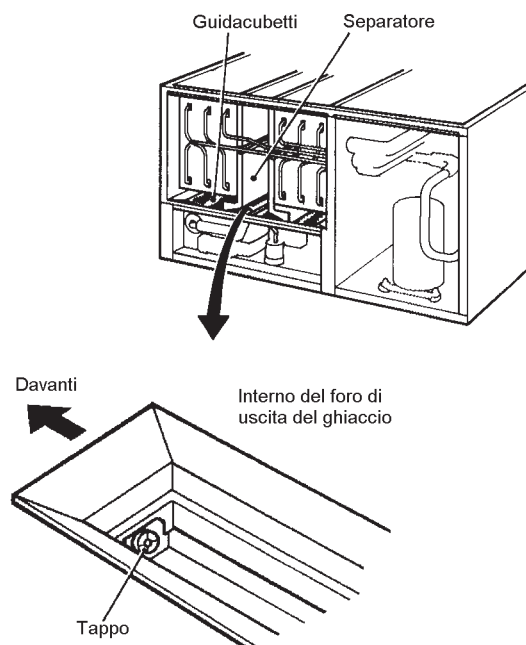


Fig. 7

- 1) Aprire la valvola di intercettazione del tubo di alimentazione.
- 2) Togliere il pannello frontale.
- 3) Portare l'interruttore di controllo sul quadro di comando in posizione "ghiaccio".
- 4) Rimettere il pannello frontale nella sua posizione originaria.
- 9) Montare il tappo, il pannello isolante ed il pannello anteriore nella loro posizione originaria.
- 10) Pulire la vaschetta di deposito.
- 11) Accendere l'apparecchio e avviare la produzione automatica di ghiaccio.
- 12) Attendere il completamento del ciclo di produzione del ghiaccio e di scongelamento.

Controllo della funzionalità della vaschetta

1. Senza rimuovere il pannello frontale, togliere le viti a testa zigrinata sul bordo superiore del deflettore del ghiaccio della vaschetta di deposito e farlo ruotare intorno alle cerniere laterali.
2. Collocare del ghiaccio davanti al sensore della vaschetta. L'apparecchio dovrebbe arrestarsi entro 10 secondi.
3. Rimettere a posto le viti e chiudere lo sportello della vaschetta.
4. Verificare che l'apparecchio si riavvii.

9. Funzionamento

La sequenza delle operazioni di avvio e funzionamento è la seguente:

1. Ciclo di riempimento - 1 minuto

L'apparecchio si avvia sempre con un ciclo di riempimento della durata di un minuto. Dando corrente all'apparecchio, viene attivata la valvola dell'acqua e si avvia il ciclo di riempimento. Dopo un minuto il circuito controlla lo stato della sonda di livello. Se la sonda è chiusa, viene avviato il ciclo di raccolta. In caso contrario, l'apparecchio non si avvierà fino a che non vi sarà acqua a sufficienza nel pozzetto in modo da garantire un livello minimo di sicurezza. La valvola dell'acqua rimarrà attiva per successivi cicli di un minuto finché non vi sia acqua a sufficienza nel pozzetto e non si chiuda la sonda di livello.

2. 1° ciclo di raccolta

Il compressore parte, si apre la valvola dell'aria calda, la valvola dell'acqua rimane aperta e comincia la raccolta. Man mano che l'evaporatore si riscalda, il termistore sulla linea di suzione verifica che raggiunga la temperatura di 9°C. Al raggiungimento di questa temperatura, il prodotto viene passato al timer di scongelamento del quadro di comando che è preimpostato per il funzionamento in condizioni normali. Il timer è regolabile da 1 a 3 minuti. La valvola dell'acqua si chiude e il motorino della pompa funziona per gli ultimi 50 secondi di raccolta.

3. Ciclo di congelamento

Una volta concluso il ciclo di raccolta, le valvole dell'aria calda e dell'acqua si chiudono e comincia il ciclo di produzione del ghiaccio. Per i primi 5 minuti, la centralina di governo non rileverà alcun segnale proveniente dalla sonda di livello. Quest'intervallo di 5 minuti serve a proteggere l'apparecchio dai cicli ridotti. Al termine di questi 5 minuti, il controllo passa alla sonda di livello. Con l'accumularsi di ghiaccio sull'evaporatore, il livello dell'acqua nel pozzetto diminuisce. Il ciclo di congelamento prosegue finché non si apre la sonda di livello e pone fine alla produzione di ghiaccio.

4. Estrusione

L'apertura della sonda di livello indica il completamento del ciclo di congelamento, per cui comincia il ciclo di raccolta. La valvola dell'aria calda si apre mentre il compressore continua a funzionare. Il timer di scarico comincia il conteggio di 10/20 secondi all'estruzione.

La pompa dell'acqua si arresta per 15 secondi e inverte la fase prelevando acqua dal pozzetto e spingendola contro la valvola di controllo, così che l'acqua attraversi la valvola e giunga al condotto di scarico. Allo stesso tempo l'acqua attraversa il condotto di alimentazione fino a raggiungere la sonda di livello. Appena il timer di scarico cessa il conteggio, l'estruzione è completata.

L'estruzione avviene sempre nel corso del primo ciclo di raccolta dopo il ciclo di congelamento iniziale. Attraverso la centralina di governo è possibile predisporre che l'estruzione avvenga ad ogni ciclo o ogni 2°, 5° o 10° ciclo a partire da questo momento.

5. Ciclo di raccolta normale

La valvola dell'acqua si apre in modo da favorire la produzione. Man mano che l'evaporatore si riscalda, il termistore raggiunge la temperatura di 9°C. La centralina di governo riceve un segnale dal termistore e avvia il timer di scongelamento. La valvola dell'acqua si chiude e il motorino della pompa funziona per gli ultimi 50 secondi di raccolta. Al termine del conteggio da parte del timer di scongelamento, termina il ciclo di scongelamento e comincia quello di congelamento successivo.

Le fasi 3., 4. e 5. vengono ripetute in sequenza finché il sensore nella vaschetta rileva la presenza di ghiaccio e spegne l'apparecchio.

Nota: qualora l'apparecchio non dovesse avviarsi o non dovesse completare un ciclo di funzionamento, rivolgersi al più vicino distributore Hoshizaki.

10. Controlli finali

1. L'apparecchio è in piano?
2. La temperatura ambiente del luogo in cui è situato l'apparecchio è compresa, tutto l'anno, tra i 7°C e i 40°C?
3. Ci sono almeno 15 cm di spazio intorno all'apparecchio per permettere eventuali interventi di manutenzione?
4. Sono stati tolti tutto il nastro adesivo, i cartoni e gli altri elementi di imballaggio dall'apparecchio? Le guide della cubettatrice sono in posizione corretta? I separatori sono stati fissati correttamente alle mollette di fissaggio? Vedere Fig. 7.
5. Sono stati effettuati tutti i collegamenti idrici ed elettrici?
6. Il voltaggio dell'alimentazione è quello indicato sulla targhetta? La macchina è stata collegata a massa?
7. Sono state installate la valvola di intercettazione e quella di scarico sul canale di alimentazione? La pressione dell'acqua è almeno di 0,7 bar e non superiore agli 8?

Nota: l'apparecchio potrebbe smettere di funzionare in mancanza d'acqua o qualora la pressione dell'acqua dovesse scendere sotto gli 0,7 bar. Al raggiungimento della normale pressione di alimentazione, l'apparecchio riprende automaticamente a funzionare.

8. È stata controllata la tenuta a vibrazioni e cedimenti dei supporti di ancoraggio del compressore e del condotto di refrigerazione?
9. L'interruttore di controllo della vaschetta funziona correttamente?
10. L'utente ha avuto il manuale di istruzione? È stato istruito sul funzionamento dell'apparecchio? È stato informato dell'importanza della manutenzione periodica raccomandata?
11. L'utente ha avuto il nome e il numero di telefono di un centro servizi autorizzato?
12. Accertarsi che tutti i componenti, gli elementi di fissaggio e le viti a testa piatta siano posizionati saldamente dopo l'installazione. Accertarsi che nessun pezzo sia caduto nella vaschetta di deposito.

BELANGRIJK

1. Voor een veilige en correcte installatie van het product moet eerst dit boekje zorgvuldig worden doorgelezen en moeten de daarin opgenomen instructies worden opgevolgd.
2. Start na installatie de ijsmachine om op abnormaliteiten te controleren en geef de gebruiker instructies over het gebruik en onderhoud van de ijsmachine in overeenstemming met de instructiehandleiding.
3. Dit boekje moet na de installatie overhandigd worden aan de gebruiker en moet door de gebruiker samen met de instructiehandleiding worden bewaard om later te kunnen worden geraadpleegd.

WAARSCHUWING

De installatie moet worden uitgevoerd door hiertoe bevoegd personeel, in overeenstemming met de geldende bepalingen en de instructies van de fabrikant.

1. UITPAKKEN

WAARSCHUWING

Kinderen moeten op veilige afstand van de verpakkingselementen worden gehouden, aangezien plastic zakken en expansiepolystyreen potentieel gevaarlijk zijn.

VOORZICHTIG

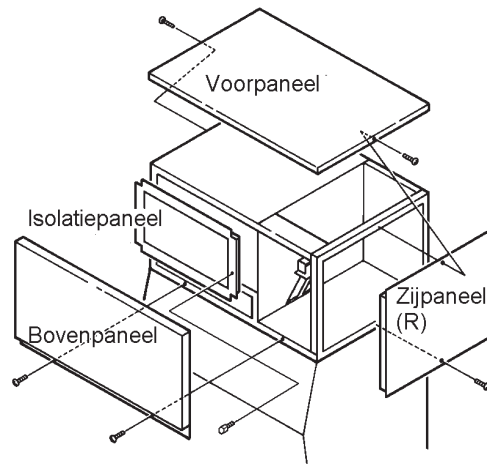
Verwijder alle kartonverpakking, plakband en andere emballage. Wanneer pakmateriaal in de cubelet-ijsmachine achterblijft, zal het apparaat niet goed werken.

N.B. Bij deze ijsmachine moet een opslagbak worden gebruikt. De aanbevolen opslagbak is de HOSHIZAKI IJSBAK, model B-800.

- 1) Nadat de verpakking is verwijderd, moet worden gecontroleerd of de ijsmachine in goede staat verkeert. In geval van twijfel mag u het toestel niet gebruiken maar moet u de hulp inroepen van bevoegd personeel. Raadpleeg het instructieblad dat aan de opslagbak zit voor richtlijnen over het uitpakken en installeren.
- 2) Verwijder de panelen om schade te voorkomen bij het installeren van de ijsmachine. (Zie '2. HET VERWIJDEREN VAN DE PANELEN'.)
- 3) Neem de verpakking met de accessoires uit de compressorruimte.

- 4) Verwijder de beschermende plastic laag van de panelen. Als de ijsmachine is blootgesteld aan zon of warmte verwijder de beschermende laag dan als de ijsmachine is afgekoeld.
- 5) Zorg ervoor dat de koelmiddelleidingen geen andere leidingen of oppervlakken raken en dat de ventilator onbelemmerd draait.
- 6) Zorg ervoor dat de compressor goed op alle montageblokken staat.
- 7) Controleer het naamplaatje op het achterpaneel en zorg ervoor dat de spanning van de netvoeding overeenkomt met de spanning op het naamplaatje.
- 8) Verwijder de tape waarmee de geleider voor de ijsblokjes vastzit.

2. HET VERWIJDEREN VAN DE PANELEN - Zie Afb. 1



Afb. 1

- a) Voorpaneel: Verwijder de twee schroeven. Til het op en trek het naar u toe.
- b) Bovenpaneel: Verwijder de twee schroeven en til het op.
- c) Zijpaneel (R): Verwijder de schroef. Trek het enigszins naar u toe en verwijder het.
- d) Isolatiepaneel: Verwijder de duimschroef. Til het enigszins op en trek het naar u toe.

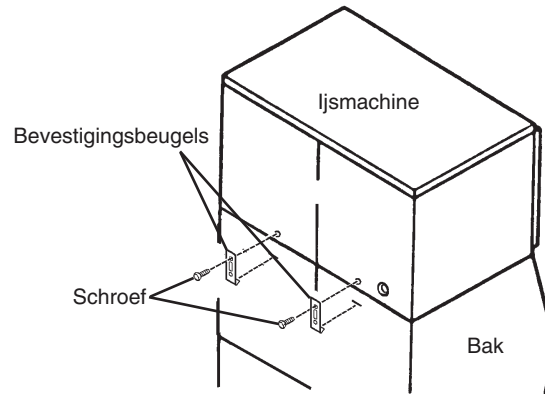
3. LOCATIE

BELANGRIJK

1. Deze ijsmachine is niet bedoeld voor gebruik buitenshuis. Tijdens normaal bedrijf ligt de omgevingstemperatuur tussen 7°C en 40°C en de watertemperatuur tussen 7°C en 35°C. Langdurig gebruik van de ijsmachine buiten deze temperatuurgrenzen kan een nadelig effect op de productiecapaciteit hebben.
2. De ijsmachine mag niet naast ovens, grills of andere warmteproducerende apparatuur worden geplaatst.
3. De locatie moet een vlakke en stevige ondergrond bieden aan het apparaat.
4. Houd voor een goede luchtcirculatie en makkelijk uit te voeren onderhouds- en servicebeurten een ruimte aan van 15 cm rondom het apparaat.
5. Dit apparaat is niet geschikt voor installatie in een ruimte waar een hogedrukreiniger wordt gebruikt of druisen niet is toegestaan.
6. Er mag niets voor het ventilatierooster worden geplaatst.
7. Deze ijsmachine werkt niet in temperaturen beneden het vriespunt. Om schade aan de waterleiding te voorkomen, moet men de ijsmachine leeg laten lopen als de luchttemperatuur tot beneden het vriespunt daalt.

4. INSTALLATIE

- De installatie moet worden uitgevoerd door bevoegd personeel, in overeenstemming met de huidige voorschriften en volgens de instructies van de fabrikant.
 - Door een onjuiste installatie kan schade worden berokkend aan mensen, dieren, de ijsmachine en de plaats van de installatie, en de fabrikant stelt zich daarvoor niet aansprakelijk.
- 1) Pak de opslagbak uit en bevestig de verstelbare poten (accessoire van de bak) aan de onderkant van de opslagbak.
 - 2) Zet de opslagbak op de geselecteerde permanente plaats.
 - 3) Plaats de ijsmachine op de bovenkant van de opslagbak en zorg ervoor dat de pakking aan de bovenkant van de bak niet wordt beschadigd.
 - 4) Bevestig de ijsmachine aan de bak met behulp van de twee bevestigingsbeugels en de bouten die zijn meegeleverd. Zie Afb. 2.

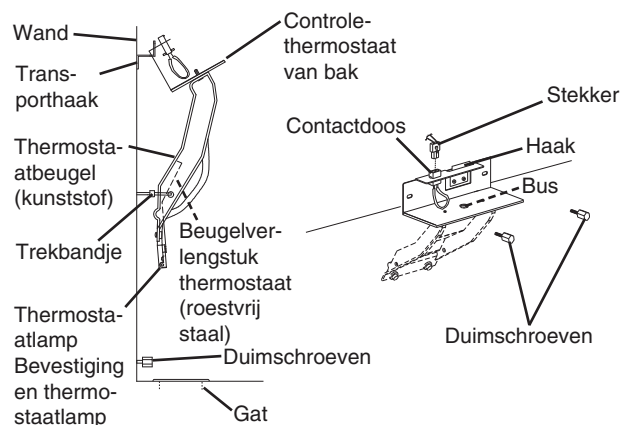


Afb. 2

VOORZICHTIG

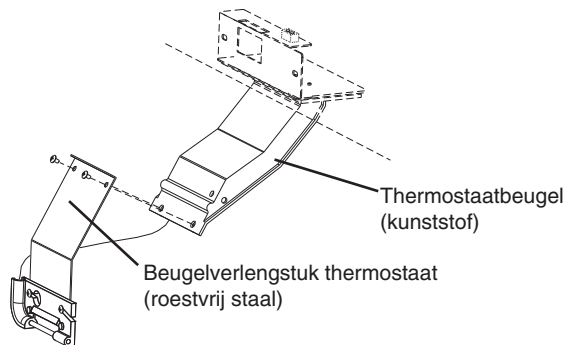
Voordat u de ijsmachine gaat gebruiken, moet de controlethermostaat van de bak correct worden geïnstalleerd.

- 5) Installeer de controlethermostaat van de bak als volgt. Zie Afb. 3a en 3b.
 - (a) Verwijder de zeefplaat uit de bak.
 - (b) Verwijder het trekbandje waarmee de controlethermostaat van de bak is vastgezet. Verwijder de twee duimschroeven.
 - (c) Verwijder de controlethermostaat van de bak uit de transporthaak door deze op te tillen en naar rechts te schuiven. Laat het beugelverlengstuk voor de thermostaat (roestvrij staal) met de bevestiging voor de thermostaatlamp en de thermostaatlamp zelf door het gat in de bodem van de ijsmachine zakken. Laat vervolgens de thermostaatbeugel (kunststof) door het gat zakken.



Afb. 3a

- (d) Zorg dat de linkerkant en onderkant van de constructie vlak tegen de wand en het basispaneel aan zitten.
- (e) Zet de constructie vast met de duimschroeven (tenzij u een tweede apparaat plaatst). (Zie '5. TWEE IJSMACHINES STAPELEN'.)
- (f) Plaats de stekker in de contactdoos op de constructie totdat deze op zijn plaats zit.
- (g) Verwijder de twee schroeven aan de onderkant van de thermostaatbeugel (kunststof) en gebruik deze om het beugelverlengstuk voor de thermostaat (roestvrij staal) te bevestigen aan de thermostaatbeugel (kunststof).

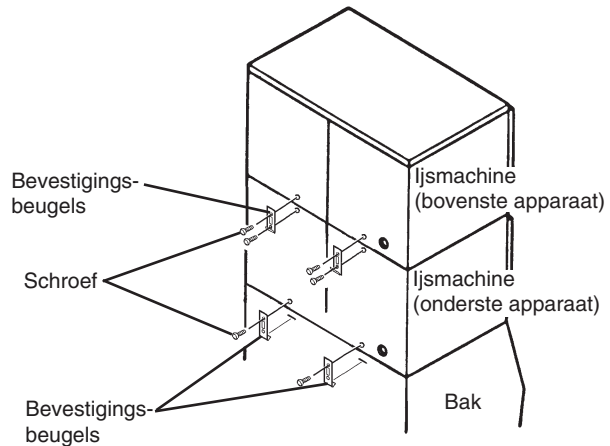


Afb. 3b

- 6) Maak de ijsmaker en de opslagbak waterpas, zowel van links naar rechts als van voor naar achter. Stel de pootjes van de opslagbak af zodat de ijsmaker waterpas staat.
- 7) Plaats de panelen en de zeefplaat terug op hun plaats (tenzij u een tweede apparaat plaatst). (Zie '5. TWEE IJSMACHINES STAPELEN'.)

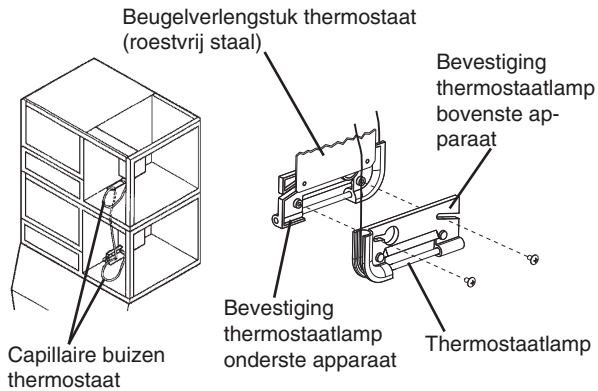
5. TWEE IJSMACHINES STAPELEN - Zie Afb. 4 en 5

- 1) Zie '4. INSTALLATIE' voor installatie van het onderste apparaat.
- 2) Verwijder het bovenpaneel en de bovenste isolatie van het onderste apparaat. Het bovenpaneel en de bovenste isolatie van het onderste apparaat zijn niet nodig bij het installeren van de tweede ijsmachine.
- 3) Pak de tweede ijsmachine uit (bovenste apparaat) en verwijder het transportmateriaal, het plakband en het verpakkingsmateriaal.
- 4) Verwijder de panelen van de tweede ijsmachine.
- 5) Stapel het bovenste apparaat op het onderste apparaat.
- 6) Zet het bovenste apparaat vast aan het onderste apparaat met de twee bevestigingsbeugels en de bouten die zijn meegeleverd.



Afb. 4

- 7) Verwijder het trekbandje waarmee de controlethermostaat van de bak van het bovenste apparaat is vastgezet.
- 8) Verwijder de controlethermostaat van de bak uit de transporthaak door deze op te tillen en naar rechts te schuiven.
- 9) Verwijder de bevestiging van de thermostaatlamp van het bovenste apparaat uit het beugelverlengstuk voor de thermostaat.
- 10) Verwijder voorzichtig de thermostaatlamp uit de bevestiging van de thermostaatlamp van het bovenste apparaat.
- 11) Leid de thermostaatlamp en de capillaire buizen van het bovenste apparaat door het gat in de bodem van het bovenste apparaat. Verwijder de bus van de onderste controlethermostaat van de bak. Leid de lamp en de buizen door het gat in de constructie en in de bak. Plaats de bus terug.
- 12) Zet de onderste controlethermostaat van de bak vast met de duimschroeven.
- 13) Plaats de thermostaatlamp voorzichtig terug in de bevestiging van de thermostaatlamp.
- 14) Zet de bevestiging van de thermostaatlamp van het bovenste apparaat vast aan de bevestiging van de thermostaatlamp van het onderste apparaat met de schroeven van het bovenste apparaat.
- 15) Plaats de stekker van het bovenste apparaat in de contactdoos van de controlethermostaat van de bak van het bovenste apparaat totdat deze op zijn plaats zit.
- 16) Plaats de panelen en de zeefplaat terug.



Afb. 5

6. ELEKTRISCHE AANSLUITINGEN

WAARSCHUWING

DIT APPARAAT MOET WORDEN GEAARD

Deze cubelet-ijsmachine vereist aarding die voldoet aan de landelijke en plaatselijke elektriciteitsvoorschriften. Om het persoonlijk gevaar van een zware elektrische schok en ernstige beschadiging van de apparatuur te voorkomen, moet een geschikte aardingsdraad aan de cubelet-ijsmachine worden bevestigd. Haal de stekker uit het stopcontact voordat wordt begonnen met onderhouds-, reparatie- of schoonmaakwerk.

- Deze ijsmachine moet worden aangesloten op een aparte voedingsbron of contactdoos van de juiste capaciteit. Zie het naamplaatje. Het wordt aanbevolen om de ijsmachine niet op hetzelfde stroomcircuit als andere elektrische apparaten aan te sluiten.
- Gestapelde ijsmachines dienen elk hun eigen contactdoos te hebben, maar zij moeten allemaal parallel zijn aangesloten op dezelfde eenfase voedingsbron of circuit met toereikend amperage.
- De opening voor de voedingsbron heeft een diameter van 22,2mm zodat er een elektriciteitsbuis op past.
- Indien een voedingskabel wordt gebruikt voor de toevoer van elektriciteit naar de ijsmachine in plaats van de permanente aansluiting (electriciteitsbuis), dan moet er op de 22,2 mm grote voedingsbronaansluiting een drukring worden geplaatst. Deze drukring dient van de juiste afmeting te zijn voor de voedingskabel die geïnstalleerd wordt. De maat van de stroomdraden dient geschikt te zijn voor het elektriciteitsverbruik van deze ijsmachine.

Aangezien de kleuren van de draden in de voedingskabel van dit apparaat een andere kleur kunnen hebben dan de kleuridentificaties van de klemmen in uw stekker, moet als volgt te werk worden gegaan:

De geelgroene draad moet worden aangesloten op de klem in de stekker die is gemerkt met de letter E of het symbool $\frac{\perp}{\equiv}$ dan wel groen of groengeel is gekleurd. De blauwe draad moet worden aangesloten op de klem die is gemerkt met de letter N, of zwartgekleurd is. De bruine draad moet worden aangesloten op de klem die is gemerkt met de letter L, of roodgekleurd is.

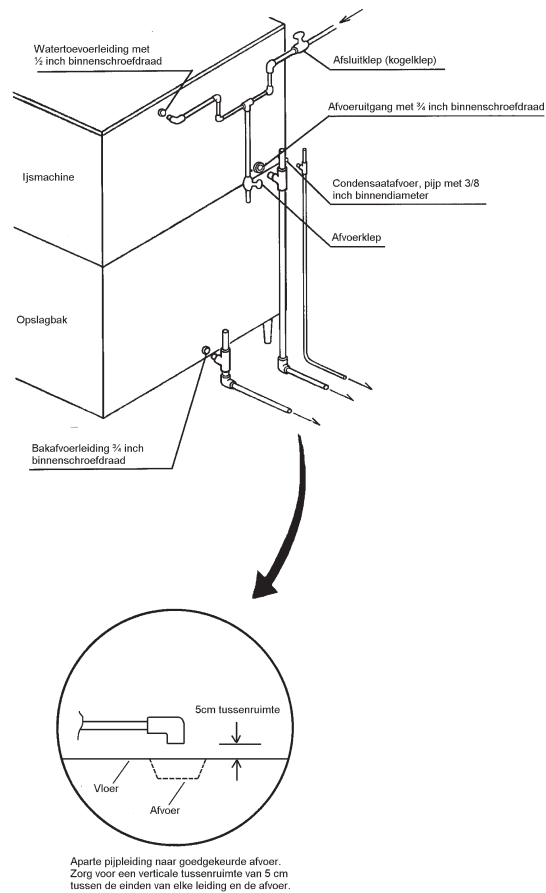
- Doorgaans is een elektriciteitsvergunning vereist en moet gebruik worden gemaakt van de diensten van een bevoegde elektricien.

7. AANSLUITINGEN VOOR WATERTOEOVOER EN -AFVOER - Zie Afb. 6

WAARSCHUWING

Om schade aan de pompinrichting te voorkomen, mag de ijsmachine niet worden gebruikt als de waterleiding is afgesloten of als de druk minder is dan 0,7 bar. Stel de ijsmachine pas in werking als de juiste waterdruk is bereikt.

- Er mag uitsluitend drinkwater voor deze ijsmachine worden gebruikt.
- De aansluiting op de waterleiding moet door een bevoegde beroepspersoon worden gedaan.
- De toevoer heeft een 1/2 inch binnendraad.
- Er moeten een afsluitklep en een afvoerklep in de waterleiding worden geïnstalleerd. Voor de afsluitklep is een kogelklep aanbevolen. Als er geen kogelklep wordt gebruikt, mag de opening daarvan niet kleiner zijn dan de binnendiameter van de waterleiding, aangezien dit een verminderde waterstroom kan veroorzaken, hetgeen kan leiden tot problemen bij ontdooien en vriezen. Voor de waterleiding wordt een koperen buis met een minimum buitendiameter van 13 mm. aanbevolen.
- De druk van de waterleiding moet minimaal 0,7 bar en maximaal 8 bar zijn. Als de druk hoger is dan 8 bar, moet er een druk-verminderende klep worden gebruikt. Draai NIET de kraan een beetje dicht.
- De afvoer van de opslagbak van de ijsmachine heeft een 3/4 inch binnendraad. De afvoer voor het condensaat is een pijp met een binnendiameter van 10mm. De aansluitingen voor de afvoer van de ijsmachine moeten apart blijven van de afvoer van de bak. De afvoer van de vergaarbak moet voldoende ontvlucht zijn om voor een afdoende stroom te zorgen tijdens de oogstcyclus (zie Afb. 6).
- Gebruik geen aansluitingen van het soldeertype aangezien de vrijkomende warmte schade tot gevolg kan hebben aan de interne aansluitingen in de ijsmachine/bak.
- Voor een goede doorstroming moeten de horizontale delen van de afvoerleidingen een afloop hebben van 2 cm. per 30 cm.
- De afvoerleidingen mogen niet direct op de riolering worden aangesloten. Er moet verticaal een tussenruimte van minimaal 5 cm. zijn tussen het eind van de afvoerpijp van de ijsmachine of de opslagbak en de afvoer in de vloer (zie Afb. 6).
- Deze ijsmachine moet in overeenstemming met de nationale, provinciale en lokale voorschriften worden geïnstalleerd.



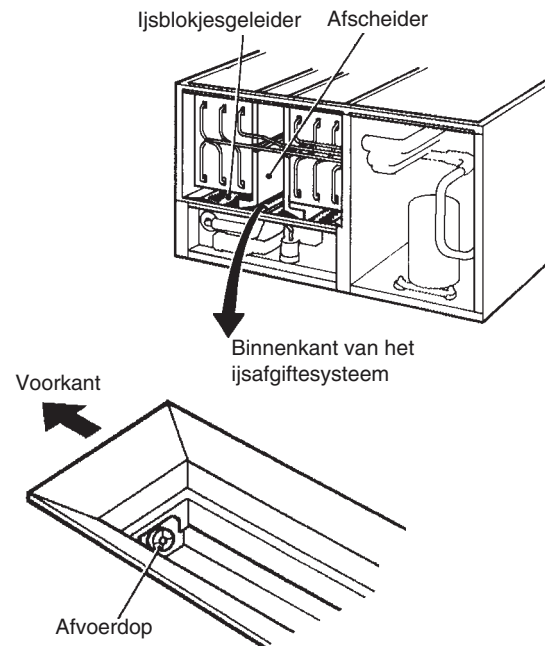
Afb. 6

8. OPSTARTEN

WAARSCHUWING

1. Deze ijsmachine is ontworpen voor de productie van consumptie-ijs. Om de hygiëne van het apparaat op een hoog niveau te handhaven:
 - Was uw handen voordat u het ijs eruit haalt.
 - Gebruik de meegeleverde plastic lepel (accessoire).
 - De opslagbak mag uitsluitend voor ijs worden gebruikt. Gebruik hem niet voor iets anders.
 - Gebruik de ijsmachine niet als u op blote voeten loopt.
 - Houd de lepel schoon. Maak hem schoon met een neutraal reinigingsmiddel en spoel hem grondig af.
 - Sluit de deur nadat er ijs is uitgehaald om te voorkomen dat er vuil, stof en insecten in de opslagbak komen.
2. Gebruik van elektrische apparatuur brengt met zich mee dat bepaalde fundamentele regels in acht moeten worden genomen, met name:
 - Een hoge vochtigheidsgraad doet het risico van kortsluiting en elektrische schokken toenemen. Bij twijfel moet de stekker van de ijsmachine eruit worden gehaald.
 - Gebruik de ijsblokjesmachine niet bloots voets.
 - Trek nooit aan het snoer om de stekker van de ijsmachine uit het stopcontact te halen.
 - Dit apparaat is niet geschikt voor gebruik zonder toezicht door jonge kinderen, bejaarden of gehandicapten.
3. Alle onderdelen kennen een fabrieksinstelling. Verkeerd bijstellen kan leiden tot storing.
4. Na uitschakeling moet tenminste 3 minuten worden gewacht voordat het apparaat weer in bedrijf kan worden genomen, ten einde beschadiging van de compressor te voorkomen.
5. Gebruik het toestel nooit in de 'SPOEL' stand als er geen water in de tank zit aangezien dit schade aan de waterpompafdichting veroorzaakt.

- 1) Open de afsluitklep van de waterleiding.
- 2) Verwijder het voorpaneel.
- 3) Zet de bedieningsschakelaar op het bedieningspaneel in de 'IJS'-stand.
- 4) Zet het voorpaneel weer op zijn plaats.
- 5) Zet de stroom aan en laat de watertank vollopen met water en laat de ijsmachine in totaal 10 minuten draaien (zie 9 voor de volgorde van werking).
- 6) Controleer de watertoevoer- en afvoeraansluitingen op lekkage.
- 7) Schakel de stroom uit en verwijder het voorpaneel.
- 8) Verwijder het isolatiepaneel. Verwijder de afvoerdop voorop de onderkant van het ijsafgiftesysteem. Laat de watertank leeglopen om eventueel los vuil weg te spoelen. Zie Afb. 7.



Afb. 7

- 9) Zet de afvoerdop, het isolatiepaneel en het voorpaneel weer op hun plaats.
- 10) Maak de opslagbak schoon.
- 11) Zet de stroom aan en start het automatisch ijsproductieproces.
- 12) Wacht totdat er een complete cyclus van ijsproductie en ontdooien is afgewerkt.

CONTROLE VAN DE BAK

- 1) Met de voorpaneel op zijn plaats, verwijder de duimschroeven langs de bovenkant van de ijsdeflector van de opslagbak en laat hem langs de bevestigingsmiddelen aan de zijkant scharnieren.
- 2) Houd een beetje ijs tegen het controlelampje van de bak. De ijsmachine moet binnen 10 seconden stoppen.
- 3) Breng de duimschroeven weer aan en sluit de deur van de bak.
- 4) Controleer of de ijsmachine weer start.

9. WERKING

De volgorde van opstarten en werking kent de volgende stappen:

1) Vulcyclus van 1 minuut

Het toestel start altijd met een vulcyclus van een minuut. Als het toestel wordt aangezet, wordt de waterklep geactiveerd en begint de vulperiode. Na 1 minuut controleert het paneel of de vlotterschakelaar is gesloten. Als de vlotterschakelaar is gesloten, begint de oogstcyclus. Zoniet, dan wacht het toestel totdat er voldoende water in de vergaarbak zit. Als er niet voldoende water in de vergaarbak zit, treedt het toestel dus niet in werking. De waterklep blijft geactiveerd met extra vulcycli van 1 minuut totdat er voldoende water in de vergaarbak zit en de vlotterschakelaar sluit.

2) 1ste oogstcyclus

De compressor start, de klep voor het hete gas opent, de waterkraan blijft open en de oogst begint. Bij het warmer worden van de afdampinstallatie controleert de thermistor die op de zuigleiding zit op een temperatuur van 9°C. Als de 9°C is bereikt, wordt de oogstcyclus verder bestuurd door de regelbare ontdooi-timer op het bedieningspaneel, die in de fabriek is ingesteld op normale omstandigheden. Met deze regelaar kan de ontdooi-timer worden ingesteld op 1 t/m 3 minuten. De waterklep gaat dicht en de pompmotor blijft gedurende de laatste 50 seconden van het oogsten draaien.

3) Vriescyclus

Nadat de oogstcyclus is beëindigd door de timer, sluiten de kleppen voor het hete gas en het water en begint de ijsproductiecyclus. Gedurende de eerste 5 minuten accepteert het bedieningspaneel geen signaal van de vlotterschakelaar. Deze minimum vriesperiode van 5 minuten dient als beveiliging tegen korte cycli. Aan het eind van de 5 minuten neemt de vlotterschakelaar de bediening over. Naarmate er zich ijs ophoopt op de afdampinstallatie, daalt het peil in de vergaarbak. Het bevroren gaat door totdat de vlotterschakelaar opent en de ijsproductie wordt beëindigd.

4) Uitpompen bij oogst

Als de vlotterschakelaar opent en de voltooiing van de friescyclus aangeeft, begint de oogstcyclus. De klep voor het hete gas opent en de compressor blijft draaien. De afvoer-timer begint met het aftellen van de 10/20 seconden voor het uitpompen.

De waterpomp stopt 15 seconden en draait dan de andere kant op, om het water uit de onderkant van de vergaarbak te zuigen en druk te zetten op de zitting van de keerklep. Hierdoor kan het water door de keerklep naar de afvoer stromen. Tegelijkertijd stroomt er water door de kleine slang om de vlotterschakelaar met kracht te spoelen. Als de afvoer-timer ophoudt met aftellen, is de uitpompcyclus voltooid.

Het uitpompen gebeurt altijd bij de eerste oogst na de aanvankelijke vriescyclus. Via het bedieningspaneel kan bij elke cyclus om uitpompen worden gevraagd, of bij elke 2de, 5de of 10de cyclus vanaf dat punt.

5) Normale oogstcyclus

De waterklep opent zodat het water bij het oogsten kan helpen. Naarmate de afdampinstallatie op temperatuur komt, bereikt de thermistor 9°C. Het bedieningspaneel ontvangt het signaal van de thermistor en start de ontdooi-timer. De waterklep gaat dicht en de pompmotor blijft gedurende de laatste 50 seconden van het oogsten draaien. Als de ontdooi-timer klaar is met aftellen, is de ontdooicyclus voltooid en begint de volgende vriescyclus.

Het toestel vervolgt de procedure van 3), 4) en 5) totdat in de bak ijs wordt waargenomen en het toestel automatisch afslaat.

N.B. Als de ijsmachine geen cyclus begint of afmaakt, vraag dan uw dichtstbijzijnde Hoshizaki dealer om hulp.

10. EINDCONTROLE

- 1) Staat de ijsmachine waterpas?
- 2) Staat de ijsmachine op een plaats waar de omgevingstemperatuur het hele jaar door tussen de 7°C en de 40°C blijft?
- 3) Is er minimaal 15 cm vrije ruimte rond de ijsmachine voor onderhoud en reparatie?
- 4) Is de ijsmachine ontdaan van alle tape, verpakking en karton: zitten de geleiders voor de ijsblokjes op de juiste plaats? Zitten de afscheiders goed vast aan de clips? Zie Afb. 7.
- 5) Zijn alle kabels en leidingen op de juiste manier aangesloten?
- 6) Klopt de spanning van de netvoeding met de gegevens op het naamplaatje? Is goede aarding in de ijsmachine geïnstalleerd?
- 7) Zijn de afsluitklep en de afvoerlep aangebracht op de waterleiding? Is de druk van de waterleiding gecontroleerd op een minimum van 0,7 bar en een maximum van 8 bar?

N.B.: De ijsmachine kan stoppen met draaien als de waterleiding is afgesloten, of als de druk minder is dan 0,7 bar. De ijsmachine gaat weer draaien zodra de vereiste waterdruk is bereikt.
- 8) Zijn de ankerbouten en koelmiddellijnen gecontroleerd op trilling en mogelijke defecten?
- 9) Is gecontroleerd of de controleschakelaar van de bak goed werkt?
- 10) Heeft de eindgebruiker de instructiehandleiding ontvangen en is hij geïnstrueerd in het gebruik van de ijsmachine en het belang van het aanbevolen periodieke onderhoud?
- 11) Heeft de eindgebruiker de naam en het telefoonnummer ontvangen van een geautoriseerd onderhoudsbedrijf?
- 12) Zorg dat alle componenten, bevestigingen en duimschroeven na installatie stevig op hun plaats zitten. Controleer of niets in de opslagbak is gevallen.